

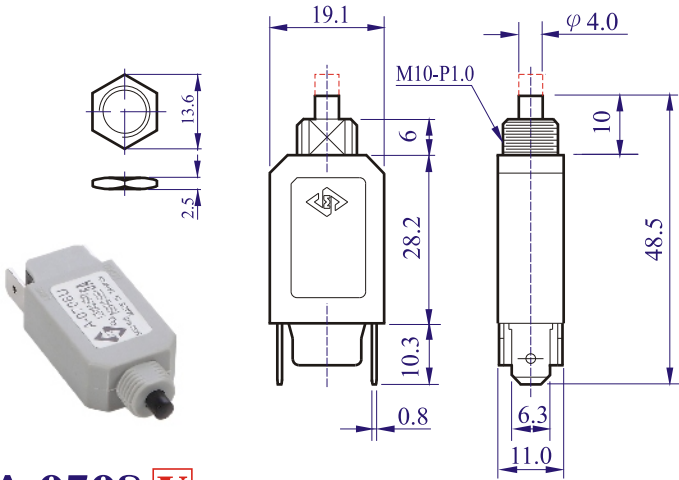


SERIES A-0708

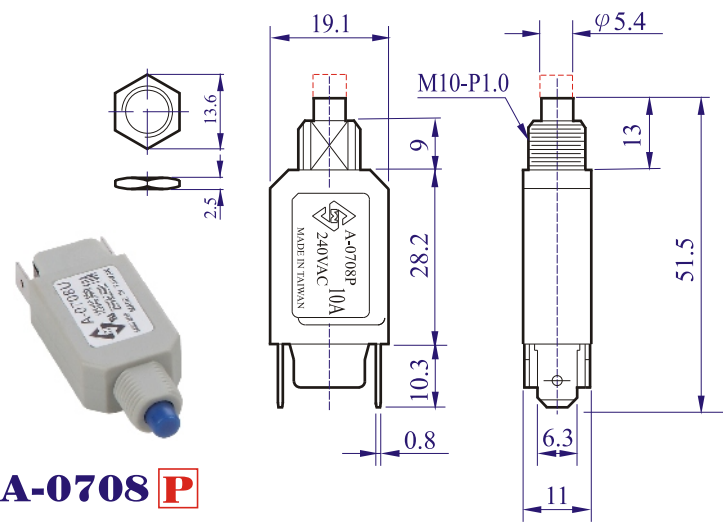
Circuit Breaker | Overload Protector | No-Fuse Breaker

Sang Mao

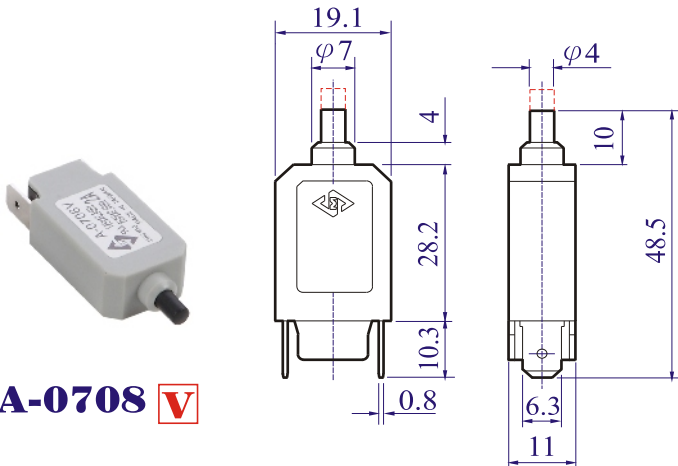
DIMENSION IN mm



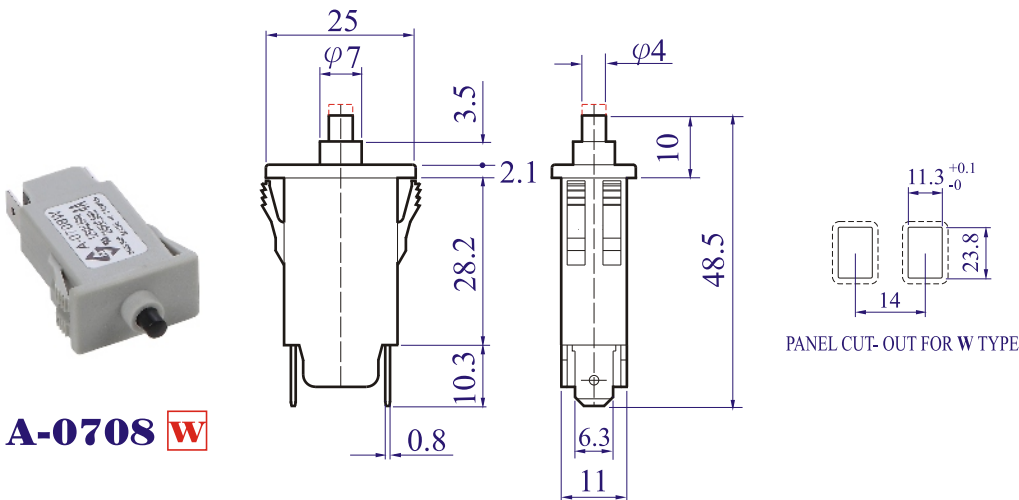
A-0708 U



A-0708 P



A-0708 V



A-0708 W

Order Part No. **A-0708** - -
Bushing Ampere Rating * ** ***

- * Reset Button Color : **B**= Black , **W**= White , **Y**= Yellow , **R**= Red .
- ** Option Terminal Type : **P**= Plate , **L**= 90° Bend .
- *** 200% Load Trip Delay Time : **F**= Fast (4"-10") , **M**= Middle (6"-18") , **S**= Slow (8"-30")

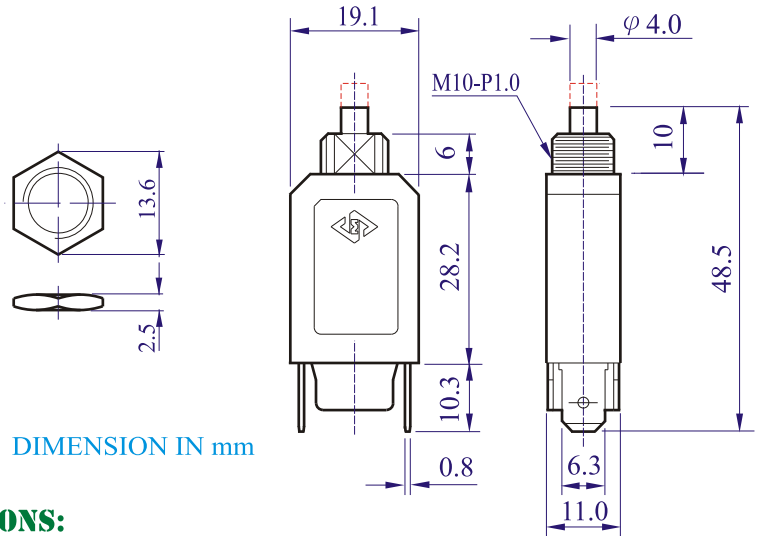




SERIES A-0708U

Circuit Breaker | Overload Protector | No-Fuse Breaker

Sang Mao



DIMENSION IN mm

| DERATING FACTOR | | |
|-----------------|--------|----------|
| TEMP | 2 ~ 4A | 5A ~ 16A |
| 60°C | -- | x 0.58 |
| 55°C | -- | x 0.65 |
| 50°C | -- | x 0.72 |
| 45°C | -- | x 0.77 |
| 40°C | x 0.50 | x 0.83 |
| 35°C | x 0.65 | x 0.88 |
| 30°C | x 0.80 | x 0.93 |
| 25°C | x 1.00 | x 1.00 |
| 20°C | x 1.10 | x 1.06 |
| 15°C | x 1.20 | x 1.11 |
| 10°C | x 1.45 | x 1.20 |

(FOR REFERENCE ONLY)

| MAX. INTERNAL RESISTANCE | |
|--------------------------|---------|
| 2.0A- 4.0A | 0.200 Ω |
| 5.0A- 6.0A | 0.100 Ω |
| 7.0A- 8.0A | 0.035 Ω |
| 9.0A-10.0A | 0.020 Ω |
| 11.0A-12.0A | 0.015 Ω |
| 13.0A-14.0A | 0.010 Ω |
| 15.0A-16.0A | 0.008 Ω |

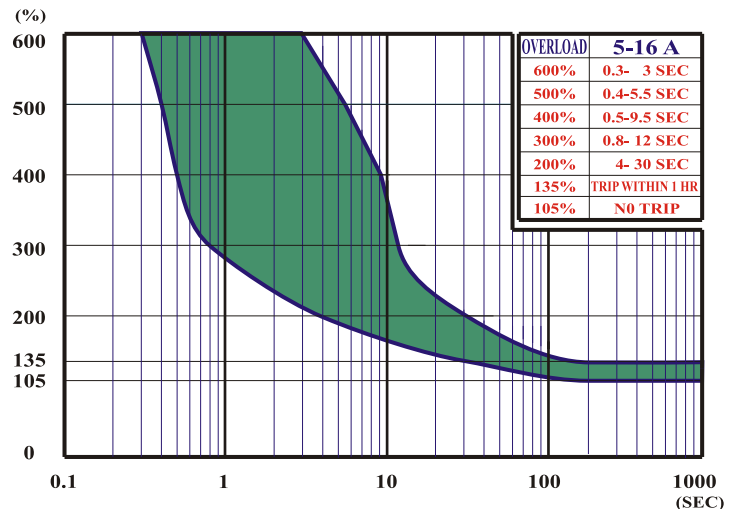
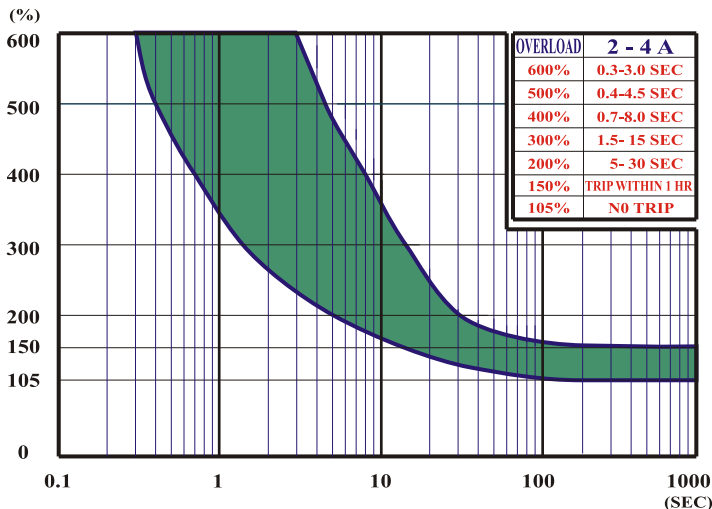
SPECIFICATIONS:

- ✧ STANDARD RATING: **2-16** AMPERE.
- ✧ INPUT POWER: **32 VDC / 125 VAC / 250 VAC**
- ✧ DIELECTRIC STRENGTH :**1500 VAC / 1 MINUTE**
- ✧ INTERRUPT CAPACITY : **125VAC × 1000A, 250VAC × 1000A.**
- ✧ RATED CONDITIONAL SHORT-CIRCUIT CURRENT : **IEC-934 "PC.1 1000A" WITH " FUSE 16A I_g 6g"**
- ✧ INSULATION RESISTANCE : **> 100 MΩ**
- ✧ CALIBRATION :
 - 25°C - **105%** OF RATED CURRENT - CONTINUOUSLY CARRIED.
 - 25°C - BETWEEN **106% TO 134%** - MAY TRIP OR NOT.
 - 25°C - **135%** OF RATED CURRENT - TRIP **WITHIN 1 HOUR.**
 - 25°C - **150%** OF 2A ~ 4A-TRIP **WITHIN 1 HOUR.**
 - 25°C - **200%** OF RATED CURRENT - TRIP **WITHIN 1 MINUTE**
- ✧ CONTACT ENDURANCE: **125VAC × 150%** OF RATED CURRENT - **500 CYCLES.**
- ✧ **IEC - 934** METHOD OF OPERATION : " **R** " = **AUTOMATIC INTERRUPTION AND NON-AUTOMATIC (MANUAL) RESETTING .**
- ✧ **IEC - 934** METHOD OF TRIPPING : " **TO** " = **THERMAL .**
- ✧ DEGREE OF TRIP - FREE BEHAVIOUR : " **CYCLING TRIP - FREE** "
- ✧ RESET: **MANUAL PUSH RESET**

APPROVALS : **UL** APPROVAL: **2 - 10A** 125/250 VAC (**BLACK** BUTTON)

APPLICATIONS : ✧ POWER STRIP ✧ REGULATOR
✧ UPS ✧ GENERATOR

TRIP TIME CURVE

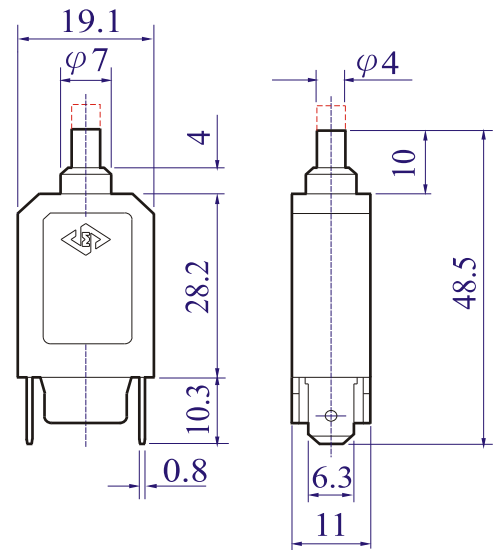




SERIES A-0708V

Circuit Breaker | Overload Protector | No-Fuse Breaker

Sang Mao



DIMENSION IN mm

| DERATING FACTOR | | |
|-----------------|---------------|---------------|
| TEMP | 2 ~ 4A | 5A ~16A |
| 60°C | -- | x 0.58 |
| 55°C | -- | x 0.65 |
| 50°C | -- | x 0.72 |
| 45°C | -- | x 0.77 |
| 40°C | x 0.50 | x 0.83 |
| 35°C | x 0.65 | x 0.88 |
| 30°C | x 0.80 | x 0.93 |
| 25°C | x 1.00 | x 1.00 |
| 20°C | x 1.10 | x 1.06 |
| 15°C | x 1.20 | x 1.11 |
| 10°C | x 1.45 | x 1.20 |

(FOR REFERENCE ONLY)

| MAX. INTERNAL RESISTANCE | |
|--------------------------|---------|
| 2.0A- 4.0A | 0.200 Ω |
| 5.0A- 6.0A | 0.100 Ω |
| 7.0A- 8.0A | 0.035 Ω |
| 9.0A-10.0A | 0.020 Ω |
| 11.0A-12.0A | 0.015 Ω |
| 13.0A-14.0A | 0.010 Ω |
| 15.0A-16.0A | 0.008 Ω |

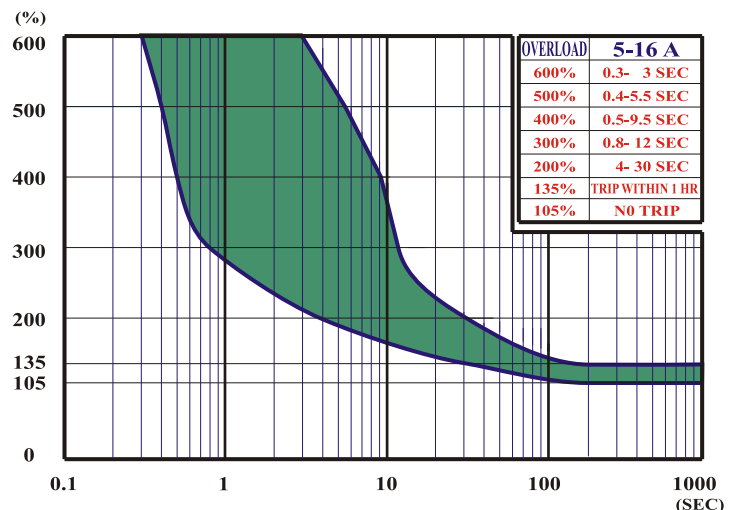
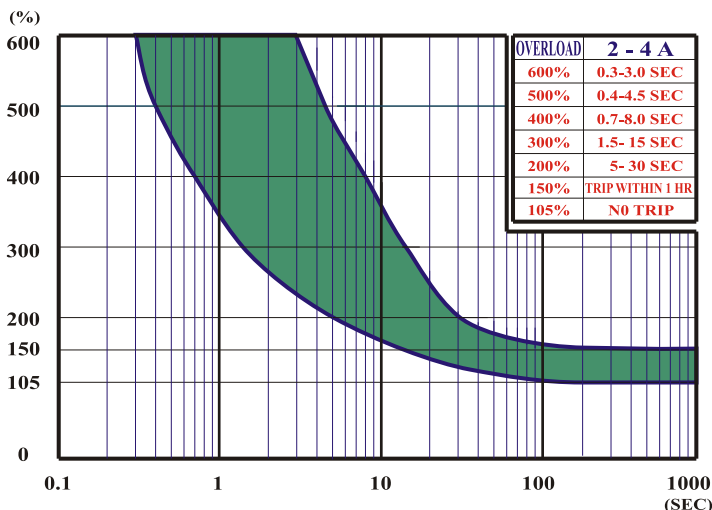
SPECIFICATIONS:

- ⊛ STANDARD RATING: **2-16** AMPERE.
- ⊛ INPUT POWER: **32 VDC / 125 VAC / 250 VAC**
- ⊛ DIELECTRIC STRENGTH :**1500 VAC / 1 MINUTE**
- ⊛ INTERRUPT CAPACITY : **125VAC × 1000A, 250VAC × 1000A.**
- ⊛ RATED CONDITIONAL SHORT-CIRCUIT CURRENT : **IEC-934 " PC.1 1000A "WITH " FUSE 16A L_g 6 " g**
- ⊛ INSULATION RESISTANCE : **> 100 MΩ**
- ⊛ CALIBRATION :
 - 25°C - **105%** OF RATED CURRENT - CONTINUOUSLY CARRIED.
 - 25°C - **BETWEEN 106% TO 134%** - MAY TRIP OR NOT.
 - 25°C - **135%** OF RATED CURRENT - TRIP **WITHIN 1 HOUR.**
 - 150%** OF 2A ~ 4A-TRIP **WITHIN 1 HOUR.**
 - 25°C - **200%** OF RATED CURRENT - TRIP **WITHIN 1 MINUTE**
- ⊛ CONTACT ENDURANCE: **125VAC × 150%** OF RATED CURRENT - **500 CYCLES.**
- ⊛ **IEC-934** METHOD OF OPERATION : " R " = **AUTOMATIC INTERRUPTION AND NON-AUTOMATIC (MANUAL) RESETTING .**
- ⊛ **IEC-934** METHOD OF TRIPPING : " TO " = **THERMAL .**
- ⊛ DEGREE OF TRIP - FREE BEHAVIOUR : " **CYCLING TRIP - FREE "**
- ⊛ RESET: MANUAL PUSH RESET

APPROVALS : **UL** APPROVAL: **2 - 10A** 125/250 VAC (**BLACK** BUTTON)

APPLICATIONS : ⊛ POWER STRIP ⊛ REGULATOR
⊛ UPS ⊛ GENERATOR

TRIP TIME CURVE

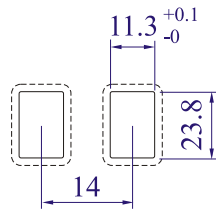




SERIES A-0708W

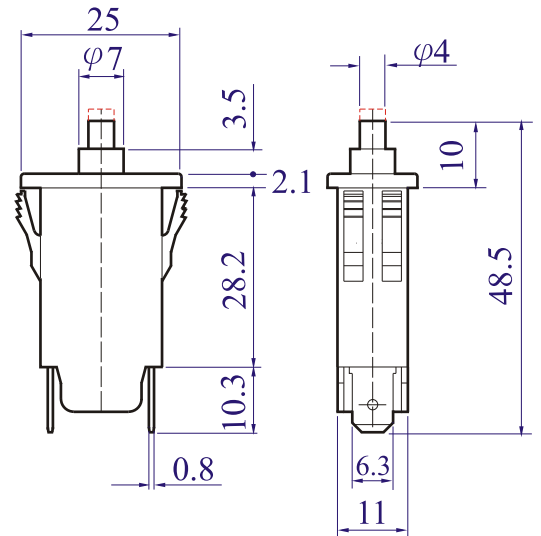
Circuit Breaker | Overload Protector | No-Fuse Breaker

Sang Mao



PANEL CUT-OUT FOR W TYPE

DIMENSION IN mm



| DERATING FACTOR | | |
|-----------------|---------------|---------------|
| TEMP | 2 ~ 4A | 5A ~ 16A |
| 60°C | -- | x 0.58 |
| 55°C | -- | x 0.65 |
| 50°C | -- | x 0.72 |
| 45°C | -- | x 0.77 |
| 40°C | x 0.50 | x 0.83 |
| 35°C | x 0.65 | x 0.88 |
| 30°C | x 0.80 | x 0.93 |
| 25°C | x 1.00 | x 1.00 |
| 20°C | x 1.10 | x 1.06 |
| 15°C | x 1.20 | x 1.11 |
| 10°C | x 1.45 | x 1.20 |

(FOR REFERENCE ONLY)

| MAX. INTERNAL RESISTANCE | |
|--------------------------|---------|
| 2.0A- 4.0A | 0.200 Ω |
| 5.0A- 6.0A | 0.100 Ω |
| 7.0A- 8.0A | 0.035 Ω |
| 9.0A-10.0A | 0.020 Ω |
| 11.0A-12.0A | 0.015 Ω |
| 13.0A-14.0A | 0.010 Ω |
| 15.0A-16.0A | 0.008 Ω |

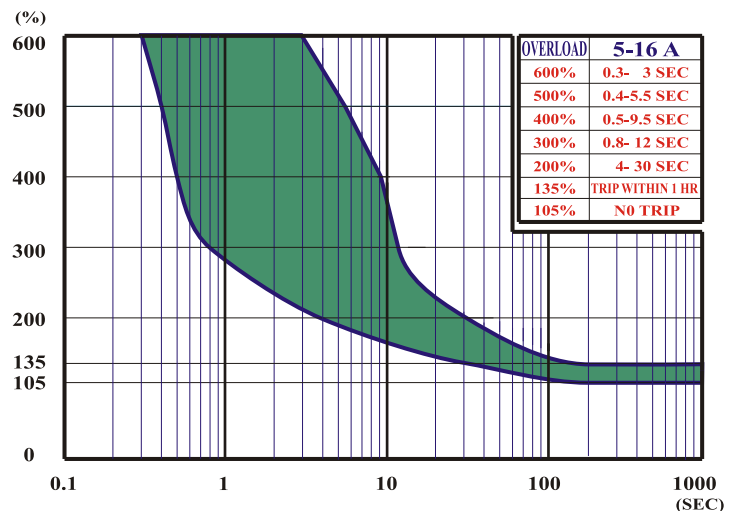
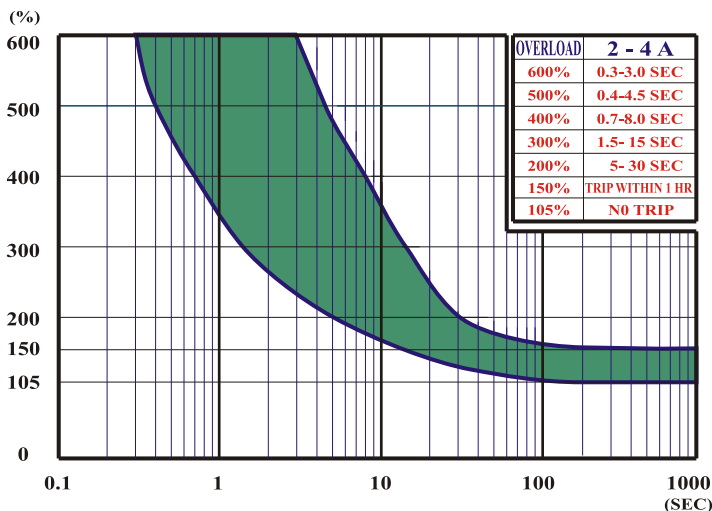
SPECIFICATIONS:

- ✧ STANDARD RATING: **2-16** AMPERE.
- ✧ INPUT POWER: **32 VDC / 125 VAC / 250 VAC**
- ✧ DIELECTRIC STRENGTH :**1500 VAC / 1 MINUTE**
- ✧ INTERRUPT CAPACITY : **125VAC × 1000A, 250VAC × 1000A.**
- ✧ RATED CONDITIONAL SHORT-CIRCUIT CURRENT : **IEC-934 "PC.1 1000A "WITH " FUSE 16A L_g 6 "g**
- ✧ INSULATION RESISTANCE : **> 100 MΩ**
- ✧ CALIBRATION :
 - 25°C - **105%** OF RATED CURRENT - CONTINUOUSLY CARRIED.
 - 25°C - BETWEEN **106% TO 134%** - MAY TRIP OR NOT.
 - 25°C - **135%** OF RATED CURRENT - TRIP **WITHIN 1 HOUR.**
 - 150%** OF 2A ~ 4A-TRIP **WITHIN 1 HOUR.**
 - 25°C - **200%** OF RATED CURRENT - TRIP **WITHIN 1 MINUTE**
- ✧ CONTACT ENDURANCE: **125VAC × 150%** OF RATED CURRENT - **500 CYCLES.**
- ✧ **IEC-934** METHOD OF OPERATION : " R " = **AUTOMATIC INTERRUPTION AND NON-AUTOMATIC (MANUAL) RESETTING .**
- ✧ **IEC-934** METHOD OF TRIPPING : " TO " = **THERMAL .**
- ✧ DEGREE OF TRIP - FREE BEHAVIOUR : " **CYCLING TRIP - FREE "**
- ✧ RESET: MANUAL PUSH RESET

APPROVALS : **UL** APPROVAL: **2 - 10A** 125/250 VAC (BLACK BUTTON)

APPLICATIONS : ✧ POWER STRIP ✧ REGULATOR
✧ UPS ✧ GENERATOR

TRIP TIME CURVE

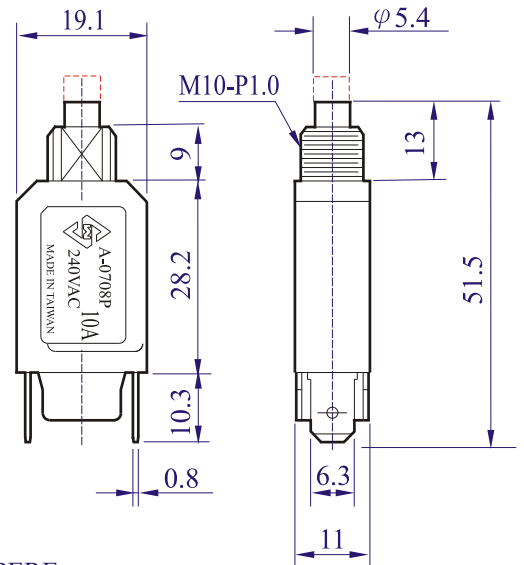
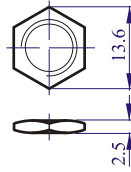




SERIES A-0708P

Circuit Breaker | Overload Protector | No-Fuse Breaker

Sang Mao



DIMENSION IN mm

| DERATING FACTOR | | |
|-----------------|---------------|---------------|
| TEMP | 2 ~ 4A | 5A ~ 16A |
| 60°C | -- | x 0.58 |
| 55°C | -- | x 0.65 |
| 50°C | -- | x 0.72 |
| 45°C | -- | x 0.77 |
| 40°C | x 0.50 | x 0.83 |
| 35°C | x 0.65 | x 0.88 |
| 30°C | x 0.80 | x 0.93 |
| 25°C | x 1.00 | x 1.00 |
| 20°C | x 1.10 | x 1.06 |
| 15°C | x 1.20 | x 1.11 |
| 10°C | x 1.45 | x 1.20 |

(FOR REFERENCE ONLY)

| MAX. INTERNAL RESISTANCE | |
|--------------------------|---------|
| 2.0A- 4.0A | 0.200 Ω |
| 5.0A- 6.0A | 0.100 Ω |
| 7.0A- 8.0A | 0.035 Ω |
| 9.0A-10.0A | 0.020 Ω |
| 11.0A-12.0A | 0.015 Ω |
| 13.0A-14.0A | 0.010 Ω |
| 15.0A-16.0A | 0.008 Ω |

SPECIFICATIONS:

- * STANDARD RATING: **2-16** AMPERE.
- * INPUT POWER: **32 VDC / 125 VAC / 250 VAC**
- * DIELECTRIC STRENGTH: **1500 VAC / 1 MINUTE**
- * INTERRUPT CAPACITY: **125VAC X 1000A, 250VAC X 1000A.**
- * RATED CONDITIONAL SHORT-CIRCUIT CURRENT: **IEC-934 "PC.1 1000A" WITH " FUSE 16A g L / g G "**
- * INSULATION RESISTANCE: **> 100 MΩ**
- * CALIBRATION :
 - 25°C - **105%** OF RATED CURRENT - CONTINUOUSLY CARRIED.
 - 25°C - BETWEEN **106% TO 134%** - MAY TRIP OR NOT.
 - 25°C - **135%** OF RATED CURRENT - TRIP **WITHIN 1 HOUR.**
 - 150%** OF 2A ~ 4A-TRIP **WITHIN 1 HOUR.**
 - 25°C - **200%** OF RATED CURRENT - TRIP **WITHIN 1 MINUTE**
- * CONTACT ENDURANCE: **125VAC X 150%** OF RATED CURRENT - **500 CYCLES.**
- * **IEC - 934** METHOD OF OPERATION : " R " = **AUTOMATIC INTER- RUPTION AND NON-AUTOMATIC (MANUAL) RESETTING .**
- * **IEC - 934** METHOD OF TRIPPING : " TO " = **THERMAL .**
- * DEGREE OF TRIP - FREE BEHAVIOUR : " **CYCLING TRIP - FREE "**
- * RESET: **MANUAL PUSH RESET**

APPROVALS : **UL** APPROVAL: **2 - 10A** 125/250 VAC (BLACK BUTTON)

APPLICATIONS : * POWER STRIP * REGULATOR
* UPS * GENERTOR

TRIP TIME CURVE

