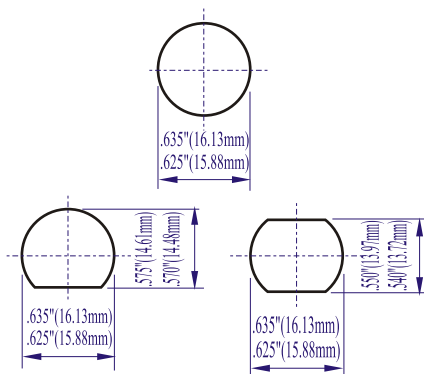




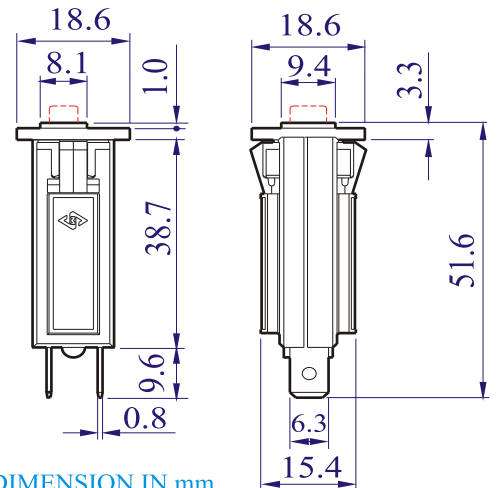
SERIES A-0710W

Circuit Breaker | Overload Protector | No-Fuse Breaker

Sang Mao



RECOMMENDED PANEL CUT-OUT



DIMENSION IN mm

SPECIFICATIONS:

- ✳ STANDARD RATING: **2-20** AMPERE.
- ✳ INPUT POWER: **32** VDC / **125** VAC / **250** VAC
- ✳ DIELECTRIC STRENGTH: **1500** VAC / 1 MINUTE
- ✳ INTERRUPT CAPACITY: **125**VAC × **1000**A, **250**VAC × **200**A.
- ✳ RATED CONDITIONAL SHORT-CIRCUIT CURRENT : **IEC-934 " PC.1 1000A "WITH " FUSE 16A gL/gG "**
- ✳ INSULATION RESISTANCE : **> 100 MΩ**
- ✳ CALIBRATION :
 - 25 °C - **105%** OF RATED CURRENT - CONTINUOUSLY CARRIED.
 - 25 °C - BETWEEN **106% TO 134%** - MAY TRIP OR NOT.
 - 25 °C - **135%** OF RATED CURRENT - TRIP **WITHIN 1 HOUR.**
 - 150%** OF 2 ~ 4A-TRIP **WITHIN 1 HOUR.**
 - 25 °C - **200%** OF RATED CURRENT - TRIP **WITHIN 1 MINUTE**
- ✳ CONTACT ENDURANCE: **125**VAC × **150%** OF RATED CURRENT - **500** CYCLES.
- ✳ **IEC - 934** METHOD OF OPERATION : " **R** " = **AUTOMATIC INTERRUPTION AND NON-AUTOMATIC (MANUAL) RESETTING .**
- ✳ **IEC - 934** METHOD OF TRIPPING : " **TO** " = **THERMAL .**
- ✳ DEGREE OF TRIP - FREE BEHAVIOUR : " **CYCLING TRIP - FREE** "
- ✳ RESET: MANUAL PUSH RESET

APPLICATIONS :

- CSA** APPROVAL : **3 - 15A** 125VAC TC2,OL0,SC:C1,1kA,125VAC
- VDE** APPROVAL : **4 - 10A** 250VAC
- 11 - 16A** 125VAC
- CSA c/us** APPROVAL : **3 - 15A** 125VAC

TRIP TIME CURVE

