



SERIES A-0701

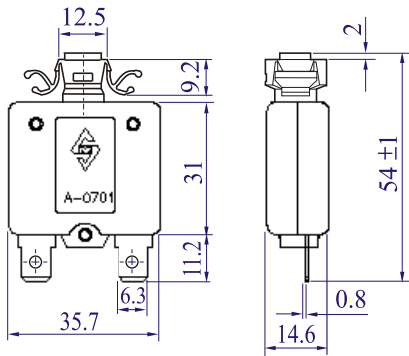
Circuit Breaker | Overload Protector | No-Fuse Breaker

Sang Mao

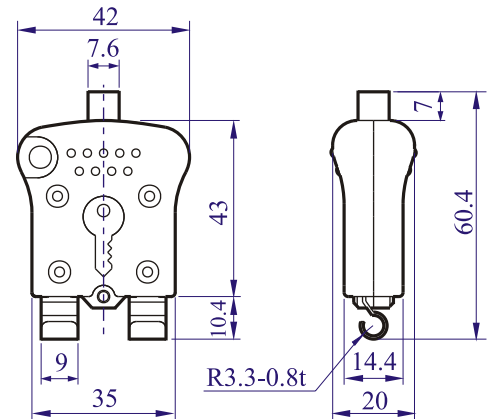
DIMENSION IN mm



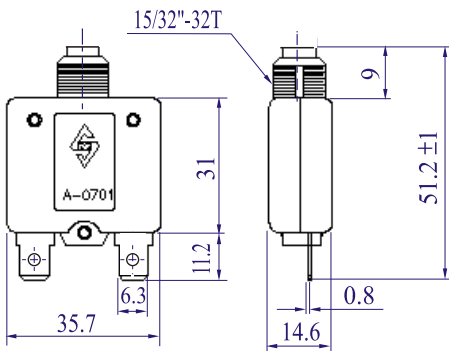
A-0701 HC



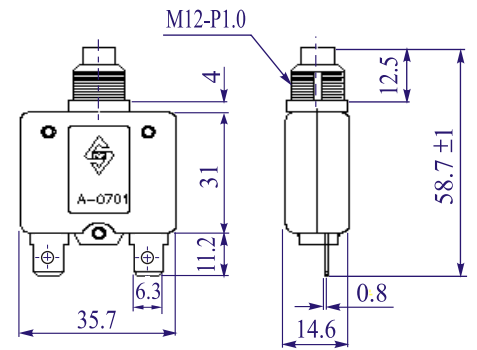
A-0701 HK



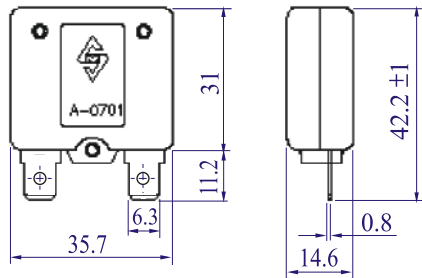
A-0701 HI



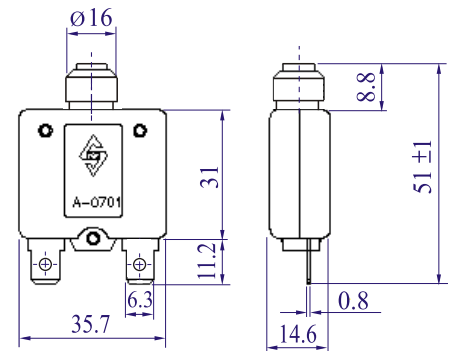
A-0701 HM



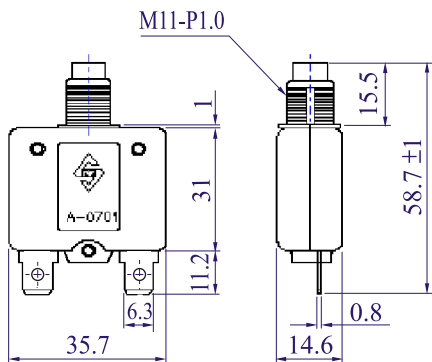
A-0701 AN



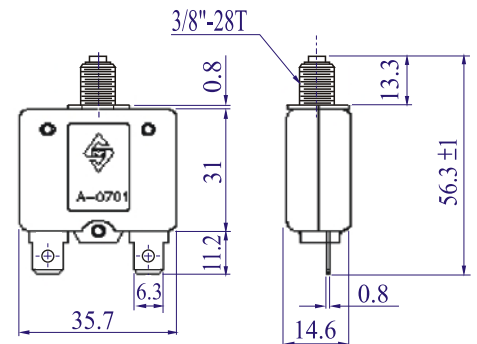
A-0701 RP



A-0701 HS



A-0701 HT



Order Part No. **A-0701** - -

Bushing Ampere Rating * ** ***

* Reset Button Color : B= Black , W= White , Y= Yellow , R= Red .

** Option Terminal Type : P= Plate , L= 90°Bend .

*** 200% Load Trip Delay Time : F= Fast (4"-10") , M= Middle (6"-18") , S= Slow (8"-30")

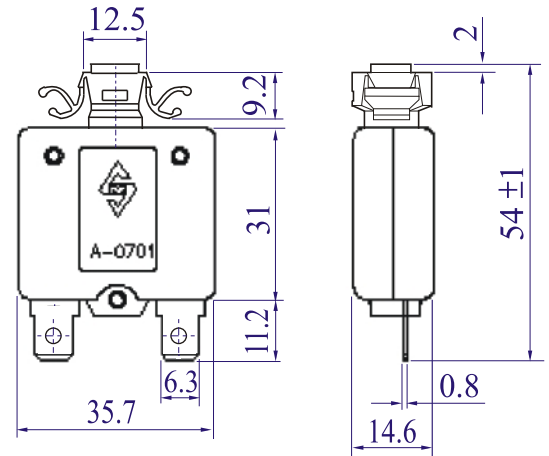




SERIES A-0701HC

Circuit Breaker | Overload Protector | No-Fuse Breaker

Sang Mao



DIMENSION IN mm

SPECIFICATIONS:

- * STANDARD RATING: **2 - 50 AMPERE**.
- * INPUT POWER: **50 VDC / 125 VAC / 250 VAC**
- * DIELECTRIC STRENGTH: **1500 VAC / 1 MINUTE**
- * RATED CONDITIONAL SHORT-CIRCUIT CURRENT : **IEC-60934 "PC. 1 1000A" WITH " FUSE 16 A gL/gG "**.
- * INSULATION RESISTANCE : **> 100 MΩ**
- * CALIBRATION:
 - 25°C - **100%** OF RATED CURRENT - CONTINUOUSLY CARRIED.
 - 25°C - BETWEEN **101% TO 145%** - MAY TRIP OR NOT.
 - 25°C - **150%** OF RATED CURRENT - TRIP **WITHIN 1 HOUR**.
 - 165%** OF 2 ~ 4A - TRIP **WITHIN 1 HOUR**.
 - 25°C - **200%** OF RATED CURRENT - TRIP **WITHIN 1 MINUTE**
- * CONTACT ENDURANCE: **125VAC × 150% OF RATED CURRENT - 500 CYCLES**.
- * **IEC - 60934** METHOD OF OPERATION : "**R**" = **AUTOMATIC INTERRUPTION AND NON-AUTOMATIC (MANUAL) RESETTING** .
- * **IEC - 60934** METHOD OF TRIPPING : "**TO**" = **THERMAL** .
- * DEGREE OF TRIP - FREE BEHAVIOUR : "**CYCLING TRIP - FREE**"
- * RESET: **MANUAL PUSH RESET**

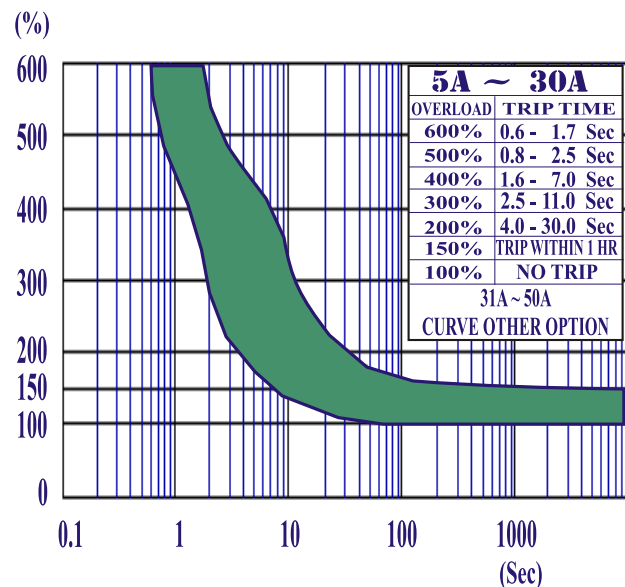
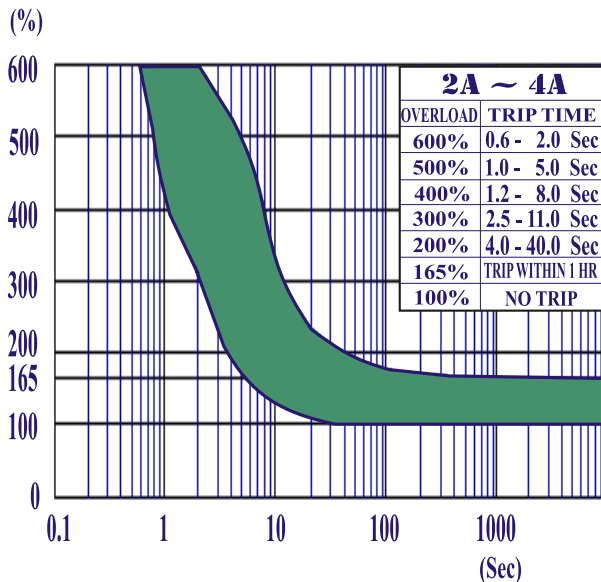
DERATING FACTOR		
TEMP	6A ~ 50A	2A ~ 5A
60°C	× 0.50	--
55°C	× 0.55	--
50°C	× 0.60	--
45°C	× 0.65	--
40°C	× 0.72	× 0.45
35°C	× 0.80	× 0.55
30°C	× 0.85	× 0.70
25°C	× 1.00	× 1.00
20°C	× 1.10	× 1.20
15°C	× 1.15	× 1.35
10°C	× 1.25	× 1.45

(FOR REFERENCE ONLY)

MAX . INTERNAL RESISTANCE	
2.0A- 4.0A	0.100 Ω
5.0A- 6.0A	0.050 Ω
7.0A- 9.0A	0.035 Ω
10.0A-12.0A	0.020 Ω
13.0A-16.0A	0.015 Ω
17.0A-22.0A	0.010 Ω
23.0A-30.0A	0.006 Ω
31.0A-40.0A	0.004 Ω
41.0A-50.0A	0.003 Ω

APPROVALS :

- U L** APPROVAL: **3 - 30A** 125 / 250 VAC
- CSA** APPROVAL: **3 - 30A** 125 VAC , 60Hz TC2, OL1, SC:C1, 1kA, 125 VAC
- CSA** APPROVAL: **5 - 30A** 250 VAC , 60Hz TC2, OL1, SC:C1, 1kA, 250 VAC
- VDE** APPROVAL: **4 - 30A** 250VAC / 50VDC
- CCC** APPROVAL: **4 - 20A** 125 VAC / 250VAC / 50VDC

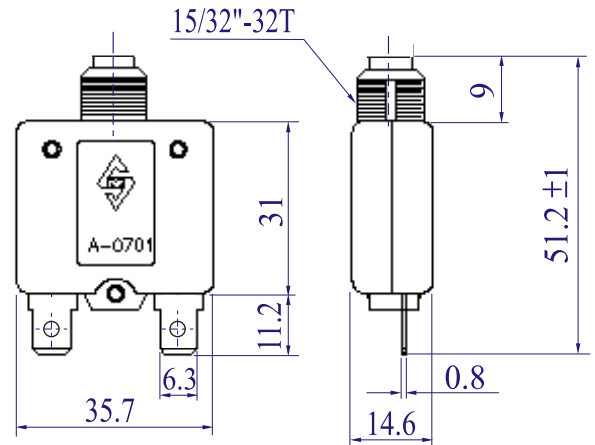




SERIES A-0701HI

Circuit Breaker | Overload Protector | No-Fuse Breaker

Sang Mao



DIMENSION IN mm

SPECIFICATIONS:

- * STANDARD RATING: **2 - 50 AMPERE.**
- * INPUT POWER: **50 VDC / 125 VAC / 250 VAC**
- * DIELECTRIC STRENGTH: **1500 VAC / 1 MINUTE**
- * RATED CONDITIONAL SHORT-CIRCUIT CURRENT : **IEC-60934 "PC. 1 1000A" WITH " FUSE 16 A gL/gG "**.
- * INSULATION RESISTANCE : **> 100 MΩ**
- * CALIBRATION:
 - 25°C - **100%** OF RATED CURRENT - CONTINUOUSLY CARRIED.
 - 25°C - BETWEEN **101% TO 145%** - MAY TRIP OR NOT.
 - 25°C - **150%** OF RATED CURRENT - TRIP **WITHIN 1 HOUR.**
 - 165%** OF 2 ~ 4A - TRIP **WITHIN 1 HOUR.**
 - 25°C - **200%** OF RATED CURRENT - TRIP **WITHIN 1 MINUTE**
- * CONTACT ENDURANCE: **125VAC × 150% OF RATED CURRENT - 500 CYCLES.**
- * **IEC - 60934** METHOD OF OPERATION : "**R**" = **AUTOMATIC INTERRUPTION AND NON-AUTOMATIC (MANUAL) RESETTING .**
- * **IEC - 60934** METHOD OF TRIPPING : "**TO**" = **THERMAL .**
- * DEGREE OF TRIP - FREE BEHAVIOUR : "**CYCLING TRIP - FREE**"
- * RESET: MANUAL PUSH RESET

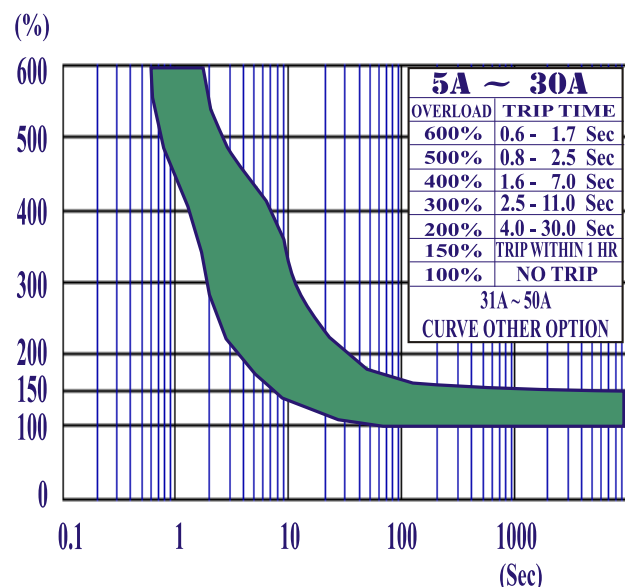
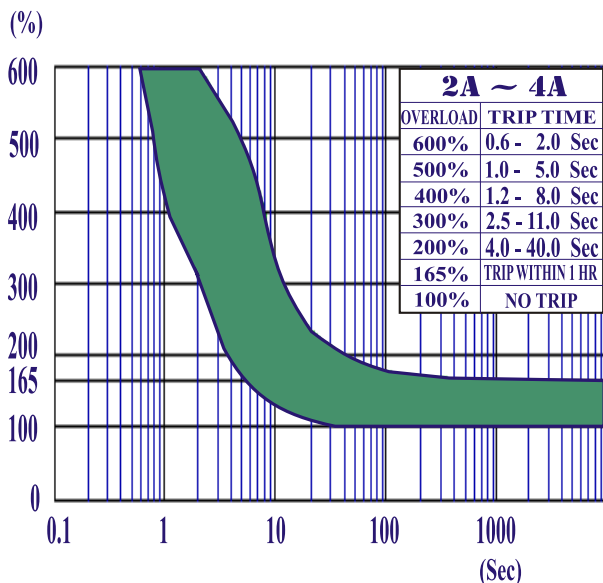
DERATING FACTOR		
TEMP	6A ~ 50A	2A ~ 5A
60°C	× 0.50	--
55°C	× 0.55	--
50°C	× 0.60	--
45°C	× 0.65	--
40°C	× 0.72	× 0.45
35°C	× 0.80	× 0.55
30°C	× 0.85	× 0.70
25°C	× 1.00	× 1.00
20°C	× 1.10	× 1.20
15°C	× 1.15	× 1.35
10°C	× 1.25	× 1.45

(FOR REFERENCE ONLY)

MAX. INTERNAL RESISTANCE	
2.0A- 4.0A	0.100 Ω
5.0A- 6.0A	0.050 Ω
7.0A- 9.0A	0.035 Ω
10.0A-12.0A	0.020 Ω
13.0A-16.0A	0.015 Ω
17.0A-22.0A	0.010 Ω
23.0A-30.0A	0.006 Ω
31.0A-40.0A	0.004 Ω
41.0A-50.0A	0.003 Ω

APPROVALS :

- U L** APPROVAL: **3 - 30A** 125 / 250 VAC
- CSA** APPROVAL: **3 - 30A** 125 VAC , 60Hz TC2, OL1, SC:C1, 1kA, 125 VAC
- CSA** APPROVAL: **5 - 30A** 250 VAC , 60Hz TC2, OL1, SC:C1, 1kA, 250 VAC
- VDE** APPROVAL: **4 - 30A** 250VAC / 50VDC
- CCC** APPROVAL: **4 - 20A** 125 VAC / 250VAC / 50VDC

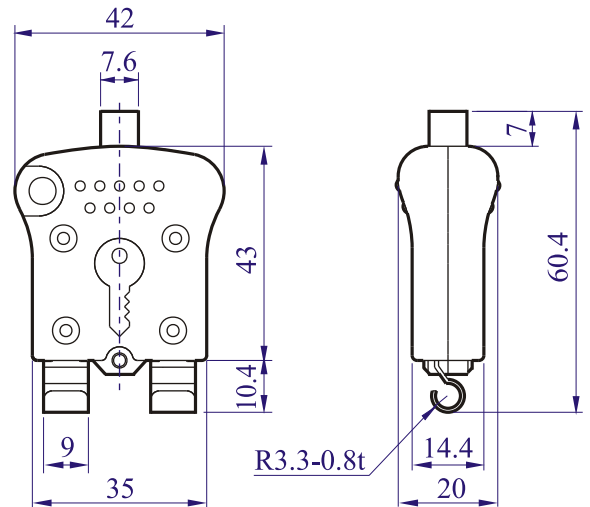




SERIES A-0701HK

Circuit Breaker | Overload Protector | No-Fuse Breaker

Sang Mao



DIMENSION IN mm

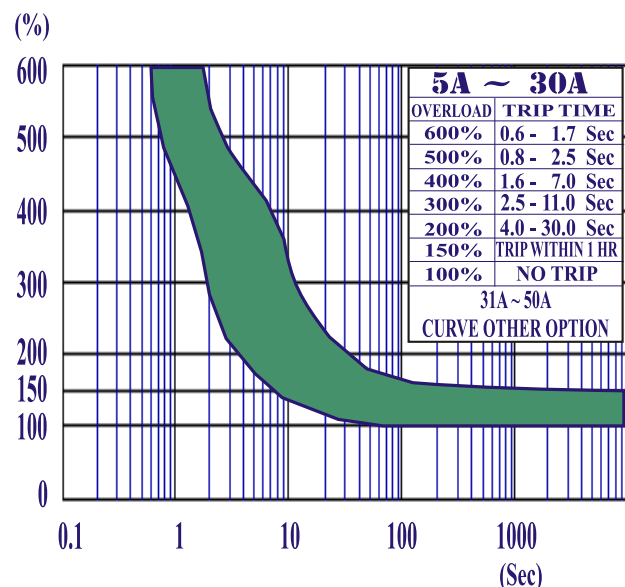
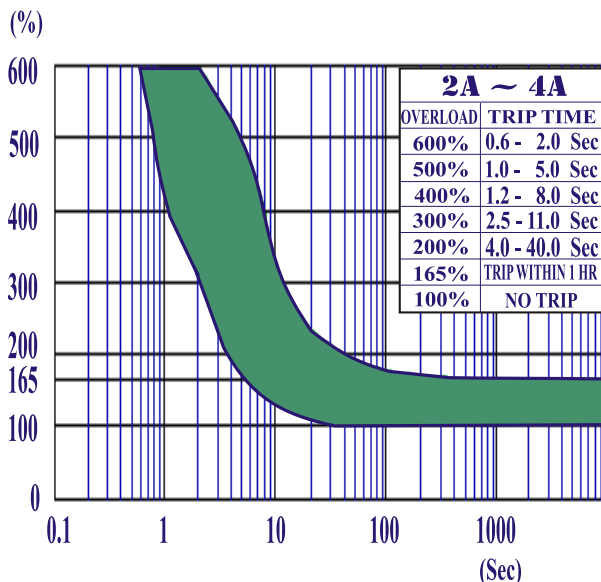
DERATING FACTOR		
TEMP	6A ~ 50A	2A ~ 5A
60°C	× 0.50	--
55°C	× 0.55	--
50°C	× 0.60	--
45°C	× 0.65	--
40°C	× 0.72	× 0.45
35°C	× 0.80	× 0.55
30°C	× 0.85	× 0.70
25°C	× 1.00	× 1.00
20°C	× 1.10	× 1.20
15°C	× 1.15	× 1.35
10°C	× 1.25	× 1.45

(FOR REFERENCE ONLY)

MAX. INTERNAL RESISTANCE	
2.0A- 4.0A	0.100 Ω
5.0A- 6.0A	0.050 Ω
7.0A- 9.0A	0.035 Ω
10.0A-12.0A	0.020 Ω
13.0A-16.0A	0.015 Ω
17.0A-22.0A	0.010 Ω
23.0A-30.0A	0.006 Ω
31.0A-40.0A	0.004 Ω
41.0A-50.0A	0.003 Ω

SPECIFICATIONS:

- * STANDARD RATING: **2 - 50** AMPERE.
- * INPUT POWER: **50 VDC / 125 VAC / 250 VAC**
- * DIELECTRIC STRENGTH: **1500 VAC / 1 MINUTE**
- * RATED CONDITIONAL SHORT-CIRCUIT CURRENT : **IEC-60934 "PC. 1 1000A" WITH " FUSE 16 A gL/gG "**.
- * INSULATION RESISTANCE : **> 100 MΩ**
- * CALIBRATION:
 - 25°C - **100%** OF RATED CURRENT - CONTINUOUSLY CARRIED.
 - 25°C - BETWEEN **101% TO 145%** - MAY TRIP OR NOT.
 - 25°C - **150%** OF RATED CURRENT - TRIP **WITHIN 1 HOUR**.
 - 165%** OF 2 ~ 4A - TRIP **WITHIN 1 HOUR**.
 - 25°C - **200%** OF RATED CURRENT - TRIP **WITHIN 1 MINUTE**
- * CONTACT ENDURANCE: **125VAC × 150%** OF RATED CURRENT - **500** CYCLES.
- * **IEC - 60934** METHOD OF OPERATION : " **R** " = **AUTOMATIC INTERRUPTION AND NON-AUTOMATIC (MANUAL) RESETTING .**
- * **IEC - 60934** METHOD OF TRIPPING : " **TO** " = **THERMAL .**
- * DEGREE OF TRIP - FREE BEHAVIOUR : " **CYCLING TRIP - FREE** "
- * RESET: MANUAL PUSH RESET

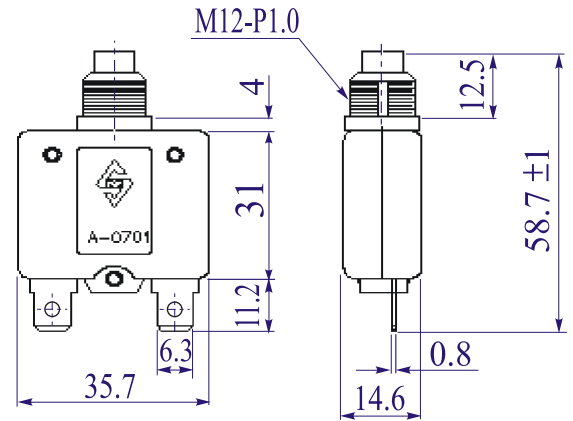




SERIES A-0701HM

Circuit Breaker | Overload Protector | No-Fuse Breaker

Sang Mao



DIMENSION IN mm

DERATING FACTOR

TEMP	6A ~ 50A	2A ~ 5A
60°C	× 0.50	--
55°C	× 0.55	--
50°C	× 0.60	--
45°C	× 0.65	--
40°C	× 0.72	× 0.45
35°C	× 0.80	× 0.55
30°C	× 0.85	× 0.70
25°C	× 1.00	× 1.00
20°C	× 1.10	× 1.20
15°C	× 1.15	× 1.35
10°C	× 1.25	× 1.45

(FOR REFERENCE ONLY)

MAX. INTERNAL RESISTANCE

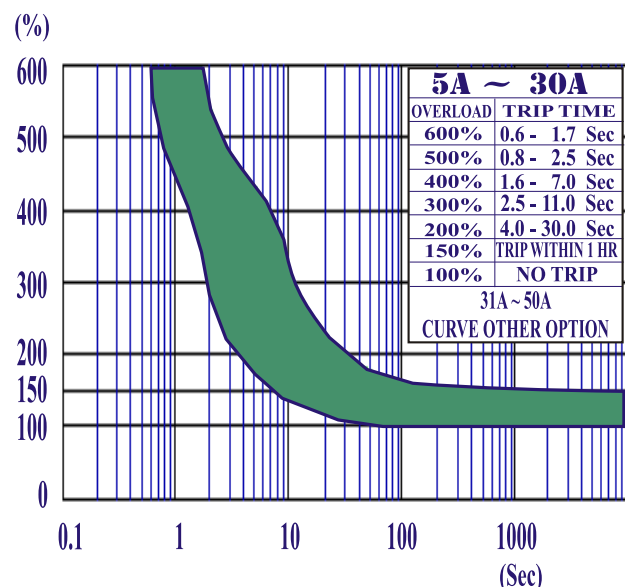
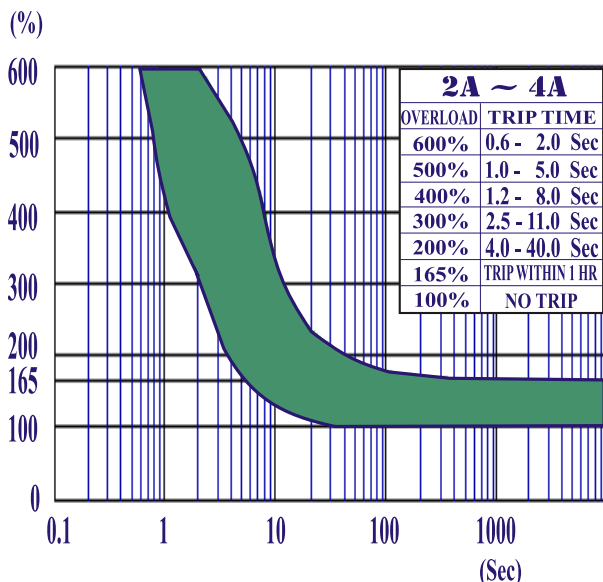
2.0A- 4.0A	0.100 Ω
5.0A- 6.0A	0.050 Ω
7.0A- 9.0A	0.035 Ω
10.0A-12.0A	0.020 Ω
13.0A-16.0A	0.015 Ω
17.0A-22.0A	0.010 Ω
23.0A-30.0A	0.006 Ω
31.0A-40.0A	0.004 Ω
41.0A-50.0A	0.003 Ω

SPECIFICATIONS:

- * STANDARD RATING: **2 - 50 AMPERE.**
- * INPUT POWER: **50 VDC / 125 VAC / 250 VAC**
- * DIELECTRIC STRENGTH: **1500 VAC / 1 MINUTE**
- * RATED CONDITIONAL SHORT-CIRCUIT CURRENT : **IEC-60934 "PC. 1 1000A" WITH " FUSE 16 A gL/gG "**.
- * INSULATION RESISTANCE : **> 100 MΩ**
- * CALIBRATION:
 - 25°C - **100%** OF RATED CURRENT - CONTINUOUSLY CARRIED.
 - 25°C - BETWEEN **101% TO 145%** - MAY TRIP OR NOT.
 - 25°C - **150%** OF RATED CURRENT - TRIP **WITHIN 1 HOUR.**
 - 165%** OF 2 ~ 4A - TRIP **WITHIN 1 HOUR.**
 - 25°C - **200%** OF RATED CURRENT - TRIP **WITHIN 1 MINUTE**
- * CONTACT ENDURANCE: **125VAC × 150%** OF RATED CURRENT - **500 CYCLES.**
- * **IEC - 60934** METHOD OF OPERATION : " **R** " = **AUTOMATIC INTERRUPTION AND NON-AUTOMATIC (MANUAL) RESETTING .**
- * **IEC - 60934** METHOD OF TRIPPING : " **TO** " = **THERMAL .**
- * DEGREE OF TRIP - FREE BEHAVIOUR : " **CYCLING TRIP - FREE** "
- * RESET: MANUAL PUSH RESET

APPROVALS :

- U L** APPROVAL: **3 - 30A** 125 / 250 VAC
- CSA** APPROVAL: **3 - 30A** 125 VAC , 60Hz TC2, OL1, SC:C1, 1kA, 125 VAC
- CSA** APPROVAL: **5 - 30A** 250 VAC , 60Hz TC2, OL1, SC:C1, 1kA, 250 VAC
- VDE** APPROVAL: **4 - 30A** 250VAC / 50VDC
- CCC** APPROVAL: **4 - 20A** 125 VAC / 250VAC / 50VDC





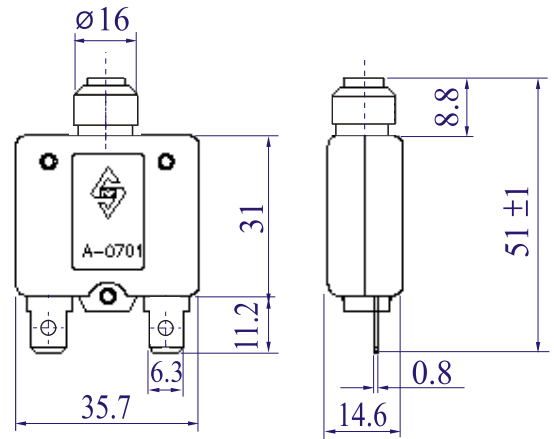
SERIES A-0701RP

Circuit Breaker | Overload Protector | No-Fuse Breaker

Sang Mao



DIMENSION IN mm



DERATING FACTOR		
TEMP	6A ~ 50A	2A ~ 5A
60°C	× 0.50	--
55°C	× 0.55	--
50°C	× 0.60	--
45°C	× 0.65	--
40°C	× 0.72	× 0.45
35°C	× 0.80	× 0.55
30°C	× 0.85	× 0.70
25°C	× 1.00	× 1.00
20°C	× 1.10	× 1.20
15°C	× 1.15	× 1.35
10°C	× 1.25	× 1.45

(FOR REFERENCE ONLY)

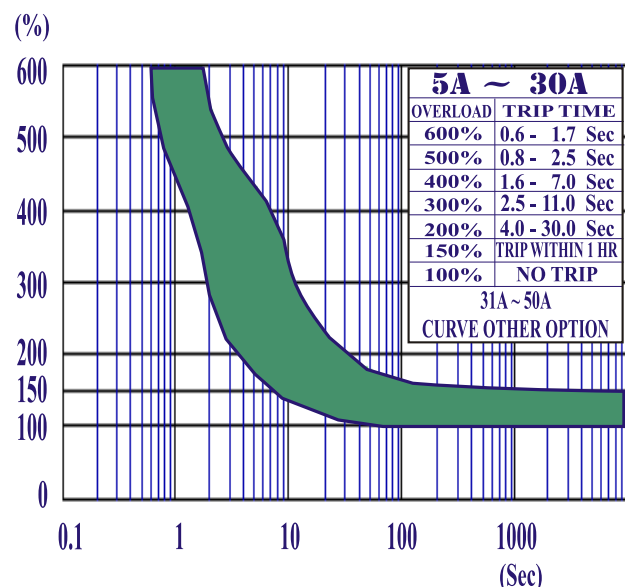
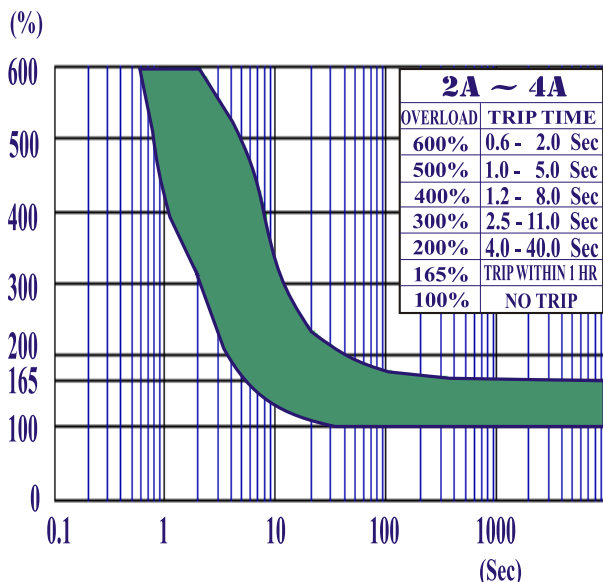
MAX. INTERNAL RESISTANCE	
2.0A- 4.0A	0.100 Ω
5.0A- 6.0A	0.050 Ω
7.0A- 9.0A	0.035 Ω
10.0A-12.0A	0.020 Ω
13.0A-16.0A	0.015 Ω
17.0A-22.0A	0.010 Ω
23.0A-30.0A	0.006 Ω
31.0A-40.0A	0.004 Ω
41.0A-50.0A	0.003 Ω

SPECIFICATIONS:

- * STANDARD RATING: **2 - 50** AMPERE.
- * INPUT POWER: **50 VDC / 125 VAC / 250 VAC**
- * DIELECTRIC STRENGTH: **1500 VAC / 1 MINUTE**
- * RATED CONDITIONAL SHORT-CIRCUIT CURRENT : **IEC-60934 "PC. 1 1000A" WITH " FUSE 16 A gL/gG "**.
- * INSULATION RESISTANCE : **> 100 MΩ**
- * CALIBRATION:
 - 25°C - **100%** OF RATED CURRENT - CONTINUOUSLY CARRIED.
 - 25°C - BETWEEN **101% TO 145%** - MAY TRIP OR NOT.
 - 25°C - **150%** OF RATED CURRENT - TRIP **WITHIN 1 HOUR**.
 - 165%** OF 2 ~ 4A - TRIP **WITHIN 1 HOUR**.
 - 25°C - **200%** OF RATED CURRENT - TRIP **WITHIN 1 MINUTE**
- * CONTACT ENDURANCE: **125VAC × 150%** OF RATED CURRENT - **500** CYCLES.
- * **IEC - 60934** METHOD OF OPERATION : " **R** " = **AUTOMATIC INTERRUPTION AND NON-AUTOMATIC (MANUAL) RESETING .**
- * **IEC - 60934** METHOD OF TRIPPING : " **TO** " = **THERMAL .**
- * DEGREE OF TRIP - FREE BEHAVIOUR : " **CYCLING TRIP - FREE** "
- * RESET: MANUAL PUSH RESET

APPROVALS :

- U L** APPROVAL: **3 - 30A** 125 / 250 VAC
- CSA** APPROVAL: **3 - 30A** 125 VAC , 60Hz TC2, OL1, SC:C1, 1kA, 125 VAC
- CSA** APPROVAL: **5 - 30A** 250 VAC , 60Hz TC2, OL1, SC:C1, 1kA, 250 VAC
- VDE** APPROVAL: **4 - 30A** 250VAC / 50VDC

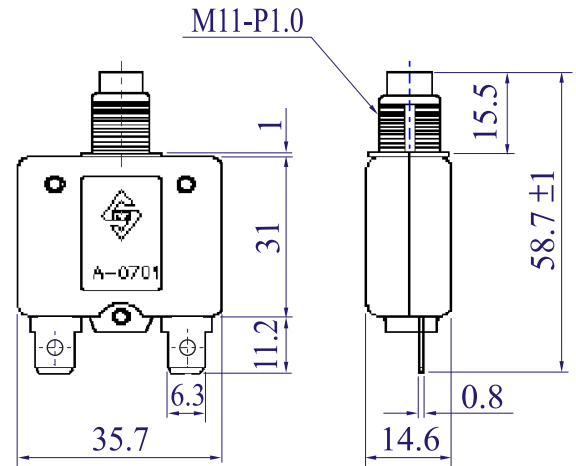




SERIES A-0701HS

Circuit Breaker | Overload Protector | No-Fuse Breaker

Sang Mao



DIMENSION IN mm

SPECIFICATIONS:

- * STANDARD RATING: **2 - 50 AMPERE.**
- * INPUT POWER: **50 VDC / 125 VAC / 250 VAC**
- * DIELECTRIC STRENGTH: **1500 VAC / 1 MINUTE**
- * RATED CONDITIONAL SHORT-CIRCUIT CURRENT : **IEC-60934 "PC. 1 1000A" WITH "FUSE 16A gL/gG".**
- * INSULATION RESISTANCE : **> 100 MΩ**
- * CALIBRATION:
 - 25°C - **100% OF RATED CURRENT - CONTINUOUSLY CARRIED.**
 - 25°C - **BETWEEN 101% TO 145% - MAY TRIP OR NOT.**
 - 25°C - **150% OF RATED CURRENT - TRIP WITHIN 1 HOUR.**
 - 25°C - **165% OF 2 ~ 4A - TRIP WITHIN 1 HOUR.**
 - 25°C - **200% OF RATED CURRENT - TRIP WITHIN 1 MINUTE**
- * CONTACT ENDURANCE: **125VAC × 150% OF RATED CURRENT - 500 CYCLES.**
- * **IEC - 60934** METHOD OF OPERATION : "**R**" = **AUTOMATIC INTERRUPTION AND NON-AUTOMATIC (MANUAL) RESETTING .**
- * **IEC - 60934** METHOD OF TRIPPING : "**TO**" = **THERMAL .**
- * DEGREE OF TRIP - FREE BEHAVIOUR : "**CYCLING TRIP - FREE**"
- * RESET: **MANUAL PUSH RESET**

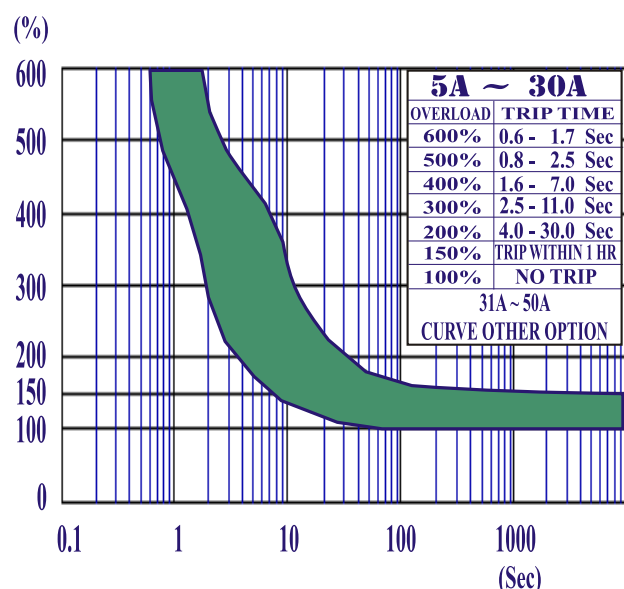
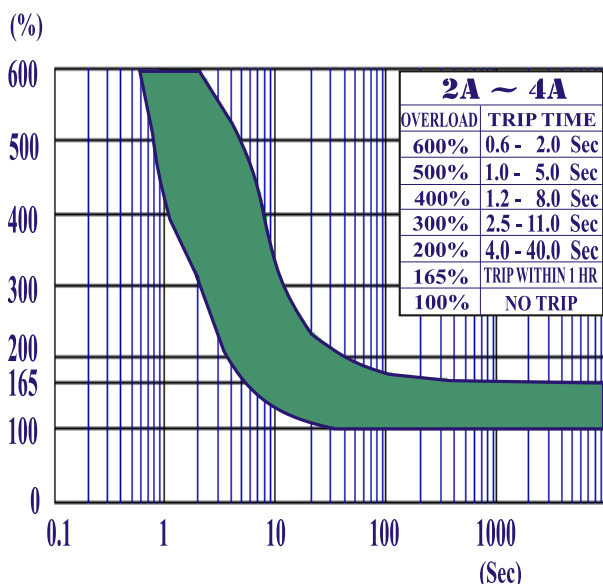
DERATING FACTOR		
TEMP	6A ~ 50A	2A ~ 5A
60°C	× 0.50	--
55°C	× 0.55	--
50°C	× 0.60	--
45°C	× 0.65	--
40°C	× 0.72	× 0.45
35°C	× 0.80	× 0.55
30°C	× 0.85	× 0.70
25°C	× 1.00	× 1.00
20°C	× 1.10	× 1.20
15°C	× 1.15	× 1.35
10°C	× 1.25	× 1.45

(FOR REFERENCE ONLY)

MAX. INTERNAL RESISTANCE	
2.0A- 4.0A	0.100 Ω
5.0A- 6.0A	0.050 Ω
7.0A- 9.0A	0.035 Ω
10.0A-12.0A	0.020 Ω
13.0A-16.0A	0.015 Ω
17.0A-22.0A	0.010 Ω
23.0A-30.0A	0.006 Ω
31.0A-40.0A	0.004 Ω
41.0A-50.0A	0.003 Ω

APPROVALS :

- U L** APPROVAL: **3 - 30A** 125 / 250 VAC
- CSA** APPROVAL: **3 - 30A** 125 VAC , 60Hz TC2, OL1, SC:C1, 1kA, 125 VAC
- CSA** APPROVAL: **5 - 30A** 250 VAC , 60Hz TC2, OL1, SC:C1, 1kA, 250 VAC
- VDE** APPROVAL: **4 - 30A** 250VAC / 50VDC
- CCC** APPROVAL: **4 - 20A** 125 VAC / 250VAC / 50VDC

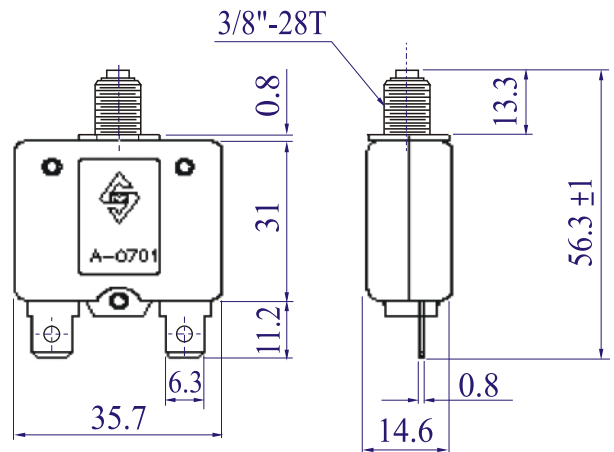




SERIES A-0701HT

Circuit Breaker | Overload Protector | No-Fuse Breaker

Sang Mao



DIMENSION IN mm

SPECIFICATIONS:

- * STANDARD RATING: **2 - 50** AMPERE.
- * INPUT POWER: **50 VDC / 125 VAC / 250 VAC**
- * DIELECTRIC STRENGTH: **1500 VAC / 1 MINUTE**
- * RATED CONDITIONAL SHORT-CIRCUIT CURRENT : **IEC-60934 "PC. 1 1000A" WITH " FUSE 16 A gL/gG "**.
- * INSULATION RESISTANCE : **> 100 MΩ**
- * CALIBRATION:
 - 25°C - **100%** OF RATED CURRENT - CONTINUOUSLY CARRIED.
 - 25°C - BETWEEN **101% TO 145%** - MAY TRIP OR NOT.
 - 25°C - **150%** OF RATED CURRENT - TRIP **WITHIN 1 HOUR**.
 - 165%** OF 2 ~ 4A - TRIP **WITHIN 1 HOUR**.
 - 25°C - **200%** OF RATED CURRENT - TRIP **WITHIN 1 MINUTE**
- * CONTACT ENDURANCE: **125VAC × 150%** OF RATED CURRENT - **500 CYCLES**.
- * **IEC - 60934** METHOD OF OPERATION : "**R**" = **AUTOMATIC INTERRUPTION AND NON-AUTOMATIC (MANUAL) RESETTING .**
- * **IEC - 60934** METHOD OF TRIPPING : "**TO**" = **THERMAL .**
- * DEGREE OF TRIP - FREE BEHAVIOUR : "**CYCLING TRIP - FREE**"
- * RESET: MANUAL PUSH RESET

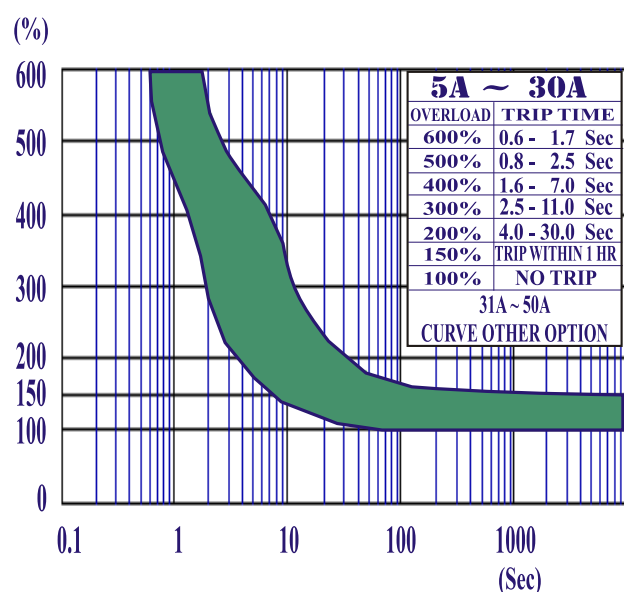
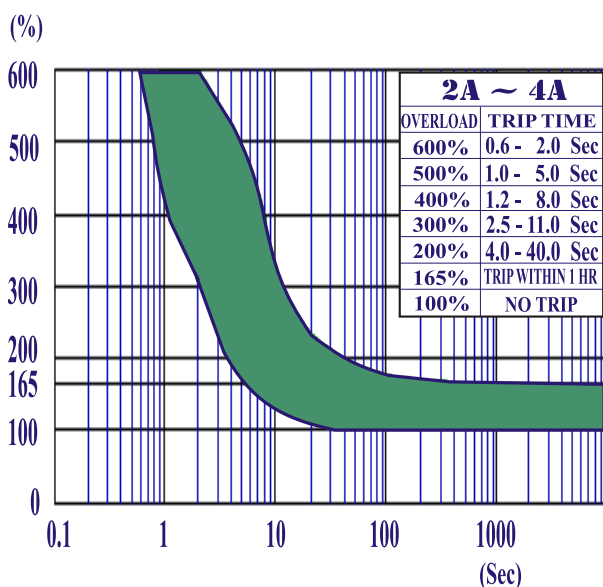
DERATING FACTOR		
TEMP	6A ~ 50A	2A ~ 5A
60°C	× 0.50	--
55°C	× 0.55	--
50°C	× 0.60	--
45°C	× 0.65	--
40°C	× 0.72	× 0.45
35°C	× 0.80	× 0.55
30°C	× 0.85	× 0.70
25°C	× 1.00	× 1.00
20°C	× 1.10	× 1.20
15°C	× 1.15	× 1.35
10°C	× 1.25	× 1.45

(FOR REFERENCE ONLY)

MAX . INTERNAL RESISTANCE	
2.0A- 4.0A	0.100 Ω
5.0A- 6.0A	0.050 Ω
7.0A- 9.0A	0.035 Ω
10.0A-12.0A	0.020 Ω
13.0A-16.0A	0.015 Ω
17.0A-22.0A	0.010 Ω
23.0A-30.0A	0.006 Ω
31.0A-40.0A	0.004 Ω
41.0A-50.0A	0.003 Ω

APPROVALS :

- U L** APPROVAL: **3 - 30A** 125 / 250 VAC
- CSA** APPROVAL: **3 - 30A** 125 VAC , 60Hz TC2, OL1, SC:C1, 1kA, 125 VAC
- CSA** APPROVAL: **5 - 30A** 250 VAC , 60Hz TC2, OL1, SC:C1, 1kA, 250 VAC
- VDE** APPROVAL: **4 - 30A** 250VAC / 50VDC
- CCC** APPROVAL: **4 - 20A** 125 VAC / 250VAC / 50VDC

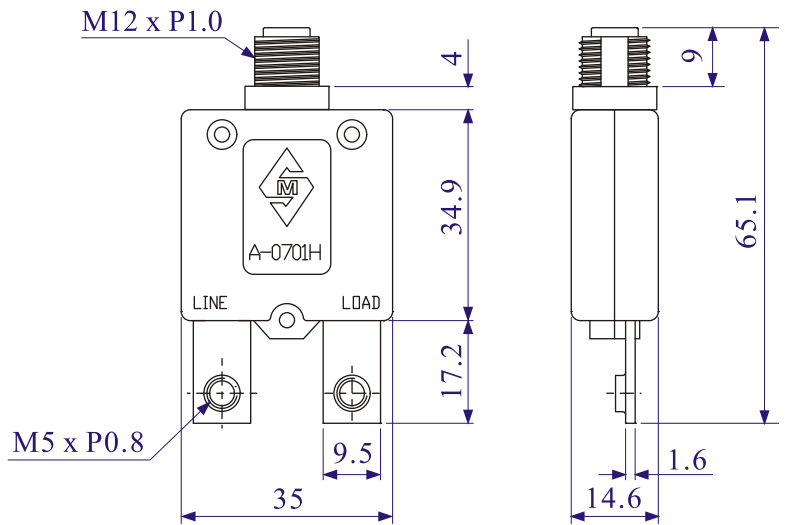
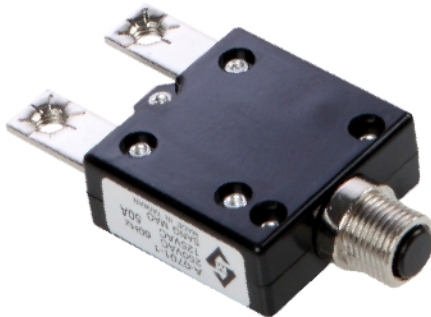




SERIES A-0701HH

High Current Circuit Breaker | Overload Protector

Sang Mao



DIMENSION IN mm

Ambient Temperature Correction Factor

Current Rating: 50A ~ 80A

Temperature	Factor
25°C / 77°F	x 1.00
40°C / 104°F	x 0.72
50°C / 122°F	x 0.60
60°C / 140°F	x 0.50

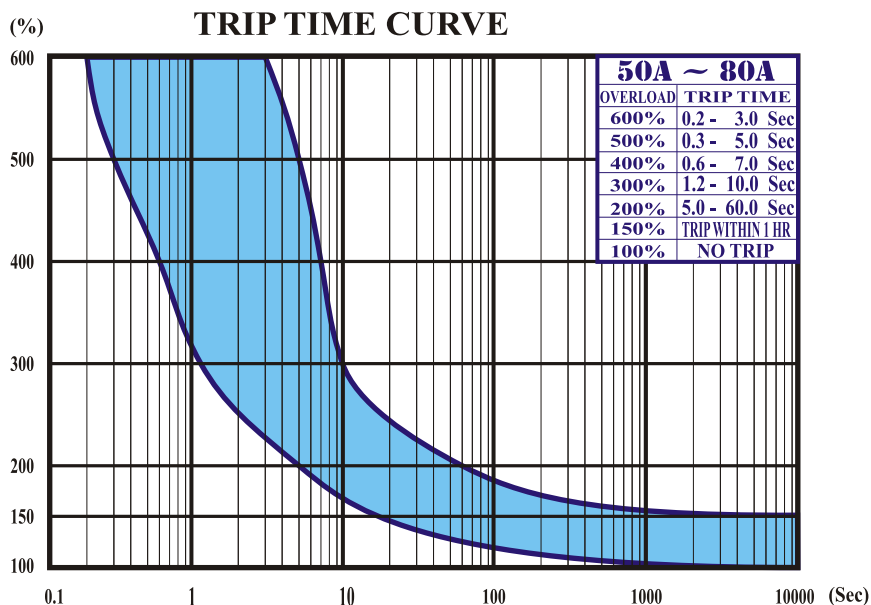
(FOR REFERENCE ONLY)

MAX. INTERNAL RESISTANCE

50A – 80A	< 0.007 Ω
-----------	-----------

SPECIFICATIONS:

- ✧ STANDARD RATING: **50 – 80 AMPERE.**
- ✧ INPUT POWER: **32 VDC / 125 VAC / 250 VAC**
- ✧ DIELECTRIC STRENGTH: **1500 VAC / 1 MINUTE**
- ✧ INSULATION RESISTANCE : **> 500 MΩ**
- ✧ VOLTAGE DROP : **LESS THAN 0.25**
- ✧ CALIBRATION:
 - 25°C - **100%** OF RATED CURRENT - CONTINUOUSLY CARRIED.
 - 25°C - BETWEEN **101% TO 145%** - MAY TRIP OR NOT.
 - 25°C - **150%** OF RATED CURRENT - TRIP **WITHIN 1 HOUR.**
 - 25°C - **200%** OF RATED CURRENT - TRIP **WITHIN 1 MINUTE**
- ✧ CONTACT ENDURANCE: **125VAC x 150%** OF RATED CURRENT - **< 500 CYCLES.**
- ✧ RESET: MANUAL PUSH RESET





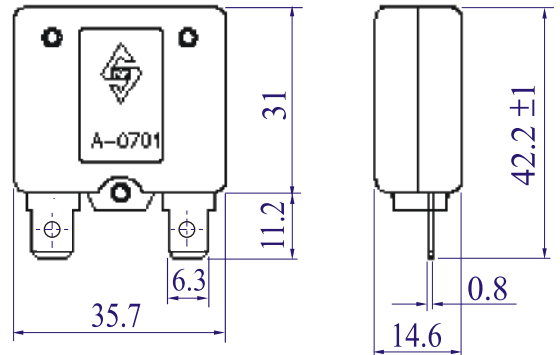
SERIES A-0701AN

Circuit Breaker | Overload Protector | No-Fuse Breaker

Sang Mao



DIMENSION IN mm



DERATING FACTOR		
TEMP	6A ~ 40A	2A ~ 5A
60°C	× 0.50	--
55°C	× 0.55	--
50°C	× 0.60	--
45°C	× 0.65	--
40°C	× 0.72	× 0.45
35°C	× 0.80	× 0.55
30°C	× 0.85	× 0.70
25°C	× 1.00	× 1.00
20°C	× 1.10	× 1.20
15°C	× 1.15	× 1.35
10°C	× 1.25	× 1.45

(FOR REFERENCE ONLY)

MAX. INTERNAL RESISTANCE	
2.0A- 4.0A	0.100 Ω
5.0A- 6.0A	0.050 Ω
7.0A- 9.0A	0.035 Ω
10.0A-12.0A	0.020 Ω
13.0A-16.0A	0.015 Ω
17.0A-22.0A	0.010 Ω
23.0A-30.0A	0.006 Ω
31.0A-40.0A	0.004 Ω

SPECIFICATIONS:

- * STANDARD RATING: **2 - 40** AMPERE.
- * INPUT POWER: **50 VDC / 125 VAC / 250 VAC**
- * DIELECTRIC STRENGTH: **1500 VAC / 1 MINUTE**
- * RATED CONDITIONAL SHORT-CIRCUIT CURRENT : **IEC-60934 "PC. 1 1000A" WITH " FUSE 16 A gL/gG "**.
- * INSULATION RESISTANCE : **> 100 MΩ**
- * CALIBRATION:
 - 25°C - **100%** OF RATED CURRENT - CONTINUOUSLY CARRIED.
 - 25°C - BETWEEN **101% TO 145%** - MAY TRIP OR NOT.
 - 25°C - **150%** OF RATED CURRENT - TRIP **WITHIN 1 HOUR.**
 - 165%** OF 2 ~ 4A - TRIP **WITHIN 1 HOUR.**
 - 25°C - **200%** OF RATED CURRENT - TRIP **WITHIN 1 MINUTE**
- * CONTACT ENDURANCE: **125VAC × 150%** OF RATED CURRENT - **500 CYCLES.**
- * **IEC - 60934** METHOD OF OPERATION : " **R** " = **AUTOMATIC INTERRUPTION AND NON-AUTOMATIC (MANUAL) RESETTING .**
- * **IEC - 60934** METHOD OF TRIPPING : " **TO** " = **THERMAL .**
- * DEGREE OF TRIP - FREE BEHAVIOUR : " **CYCLING TRIP - FREE** "
- * RESET: AUTO RESET.

