



SERIES M-9005A

3/4" Single-Phase Motor Protectors

Sang Mao



Specifications

Protects motors : 1/6 HP To 3 HP
 Operating temperature : 90°C~150°C
 Operating tolerance : $\pm 5^\circ\text{C}$
 Resume temperature tolerance : $\pm 12^\circ\text{C}$
 Trip time : 10 ± 5 seconds
 (Customization as per request)
 Input power : 110-120 VAC/220-240 VAC
 Contacts Type: Normally Close
 Reset type : Automatic or Manual reset
 Base type : Eared or Round
 Terminal type : Fast Clip、 Plate、 Hook、 Stub

Features

Single-Phase Type Motors
 Normally closed contacts type
 Solution to Motor Overheat and Locked rotor.
 Temperature and Current Dual Protection
 Used In Single and Dual Voltage Type Motors
 Variety mounting and terminal options.

Application

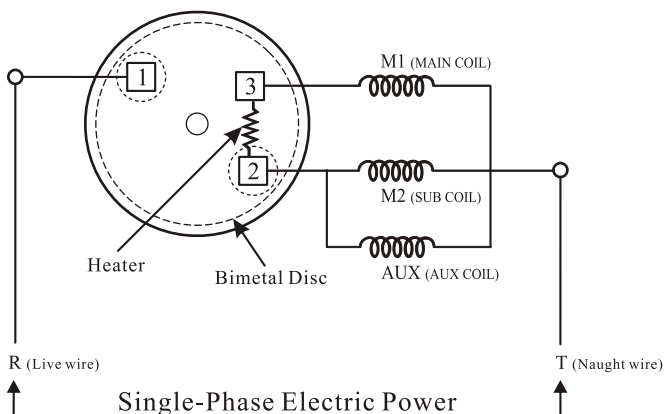
Industrial motors
 Various types of pumps
 Compressor
 Air conditioning
 Agricultural equipment
 Home appliances

Approvals

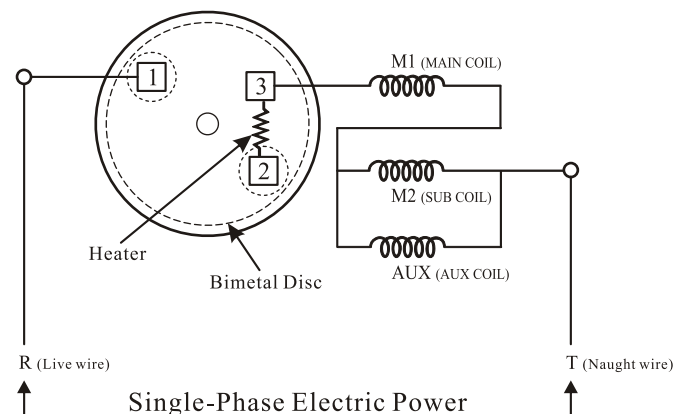
UL approval : 1/6 - 2 HP , 110-120 / 220-240 VAC , 90 °C- 135°C. (File No.: E125871)

Circuit Connection

Low Voltage



High Voltage



Dimensional Drawings (3/4" Single-Phase Motor Protectors)

<p>Eared Base Manual Reset</p>		<p>Eared Base Auto Reset</p>	
<p>Round Base Manual Reset</p>		<p>Round Base Auto Reset</p>	

Dimension in mm

Terminal Type

Fast Clip	Plate	Hook	Stub



SERIES M-9005B

3/4" Three-Phase Motor Protectors

Sang Mao



Specifications

- Protects motors : 1/2 HP To 5 HP
- Operating temperature : 90°C~150°C
- Operating tolerance : $\pm 5^\circ\text{C}$
- Resume temperature tolerance : $\pm 12^\circ\text{C}$
- Trip time : 10 ± 5 seconds
(Customization as per request)
- Input power : 220-240VAC / 440-480 VAC
- Contacts Type: Normally Close
- Reset type : Automatic or Manual reset
- Base type : Eared or Round
- Terminal type : Plate、Hook、Stub

Features

- Three-Phase Type Motors
- Normally closed contacts type
- Solution to Motor Overheat and Locked rotor.
- Temperature and Current Dual Protection
- Used In Single and Dual Voltage Type Motors
- Variety mounting and terminal options.

Application

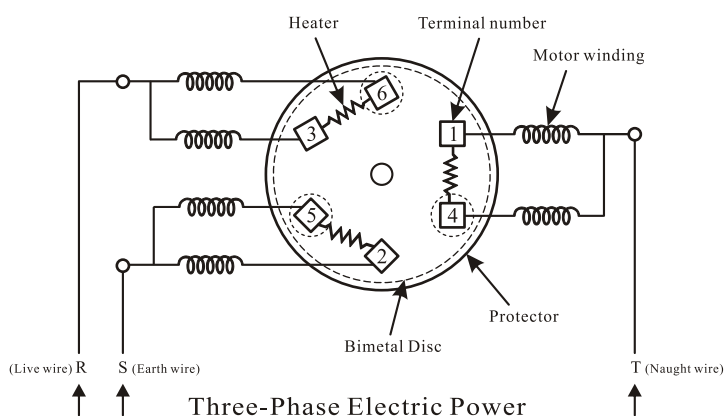
- Industrial machinery motors
- Water pump
- Refrigerator compressor
- Air conditioning fan
- Agricultural equipment
- Heating appliances

Approvals

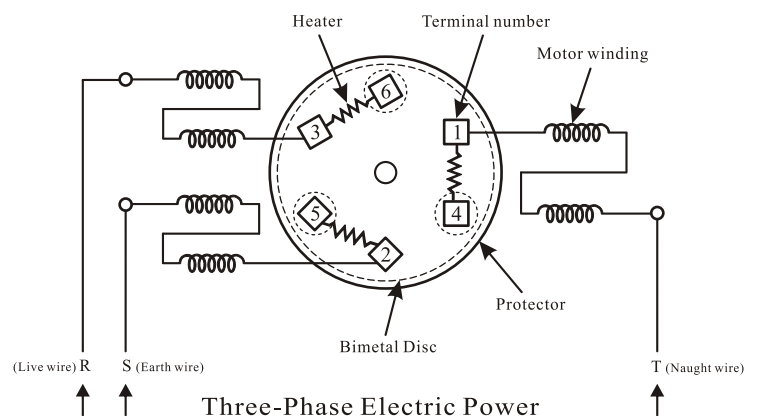
UL approval : 3/4 - 2 HP , 220-240 / 440-480 VAC , 90 °C- 135°C. (File No.: E125871)

Circuit Connection

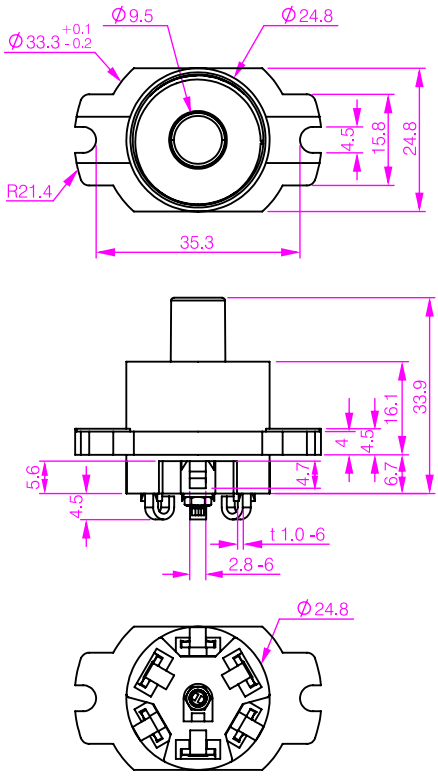
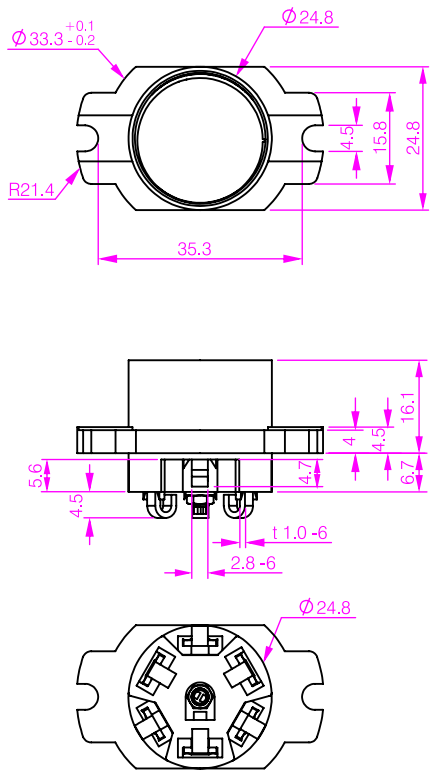
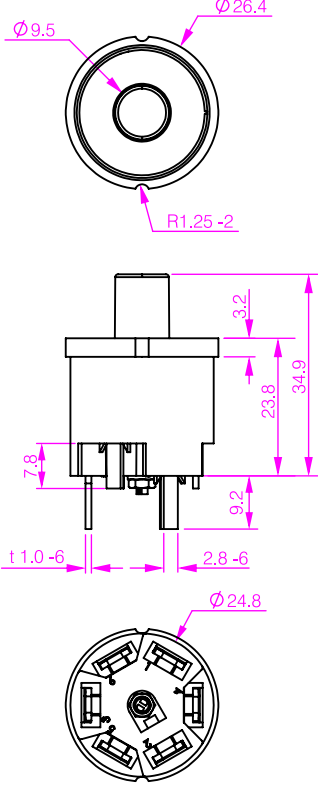
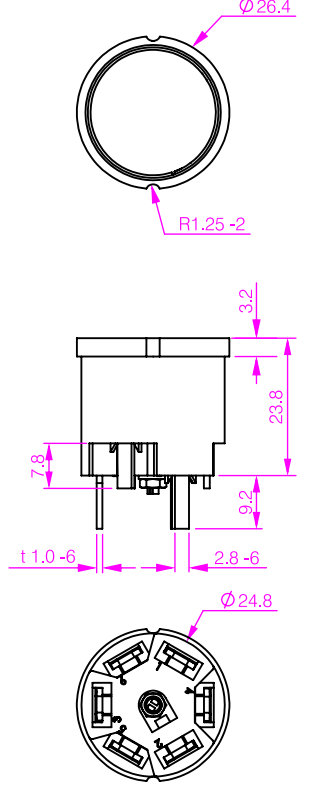
Low Voltage



High Voltage

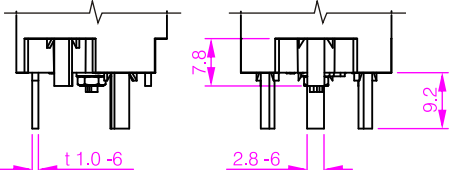
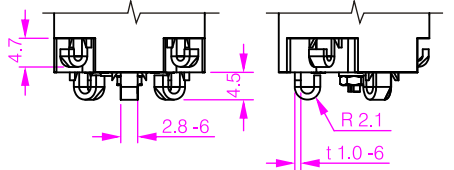
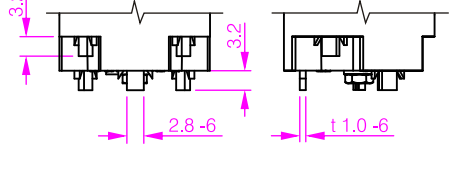


Dimensional Drawings (3/4" Three-Phase Motor Protectors)

<p>Eared Base Manual Reset</p>		<p>Eared Base Auto Reset</p>	
<p>Round Base Manual Reset</p>		<p>Round Base Auto Reset</p>	

Dimension in mm

Terminal Type

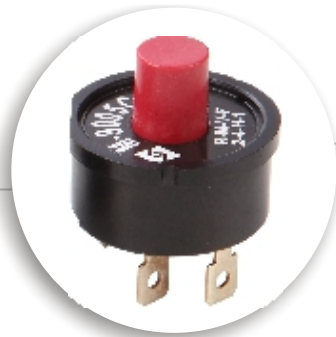
Plate	Hook	Stub
		



SERIES M-9005C

1" Single-Phase Motor Protectors

Sang Mao



Specifications

- Protects motors : 1/6 HP To 5 HP
- Operating temperature : 90°C~150°C
- Operating tolerance : $\pm 5^\circ\text{C}$
- Resume temperature tolerance : $\pm 12^\circ\text{C}$
- Trip time : 10 ± 5 seconds
- (Customization as per request)
- Input power : 110-120 VAC/220-240 VAC
- Contacts Type: Normally Close
- Reset type : Automatic or Manual reset
- Base type : Eared or Round
- Terminal type : Fast Clip、 Plate、 Hook、 Stub

Features

- Single-Phase Type Motors
- Normally closed contacts type
- Solution to Motor Overheat and Locked rotor.
- Temperature and Current Dual Protection
- Used In Single and Dual Voltage Type Motors
- Variety mounting and terminal options.

Application

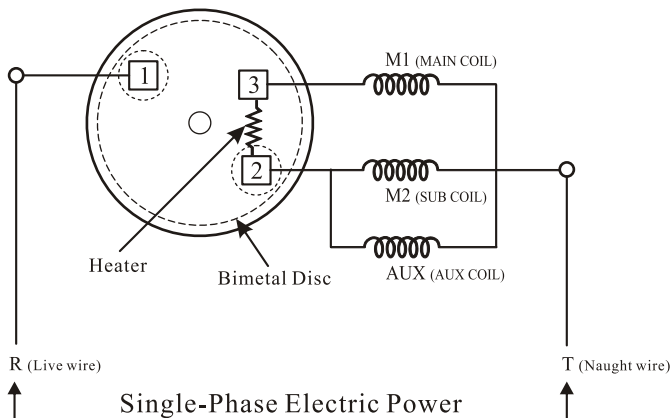
- Industrial motors
- Various types of pumps
- Compressor
- Air conditioning
- Agricultural equipment
- Home appliances

Approvals

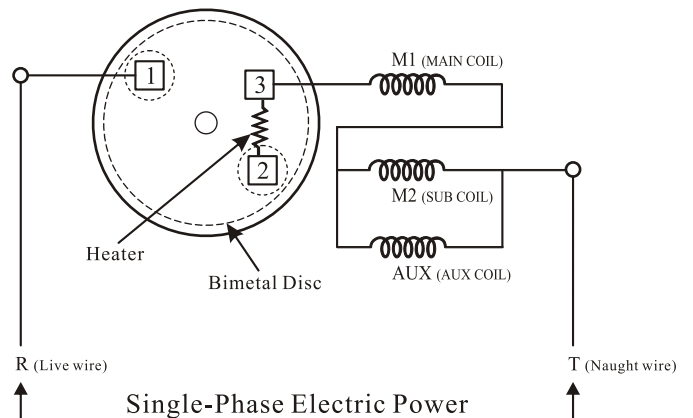
UL approval : 1/4 - 3 HP , 110-120 / 220-240 VAC , 90 °C- 135°C. (File No.: E125871)

Circuit Connection

Low Voltage



High Voltage



Dimensional Drawings (1" Single-Phase Motor Protectors)

<p>Eared Base Manual Reset</p>		<p>Eared Base Auto Reset</p>	
<p>Round Base Manual Reset</p>		<p>Round Base Auto Reset</p>	

Dimension in mm

Terminal Type

Fast Clip	Plate	Hook	Stub



SERIES M-9005D

1" Three-Phase Motor Protectors

Sang Mao



Specifications

Protects motors : 3/4 HP To 5 HP
 Operating temperature : 90°C~150°C
 Operating tolerance : $\pm 5^\circ\text{C}$
 Resume temperature tolerance : $\pm 12^\circ\text{C}$
 Trip time : 10 ± 5 seconds
 (Customization as per request)
 Input power : 220-240VAC / 440-480 VAC
 Contacts Type: Normally Close
 Reset type : Automatic or Manual reset
 Base type : Eared or Round
 Terminal type : Plate、Hook、 Stub

Features

Three-Phase Type Motors
 Normally closed contacts type
 Solution to Motor Overheat and Locked rotor.
 Temperature and Current Dual Protection
 Used In Single and Dual Voltage Type Motors
 Variety mounting and terminal options.

Application

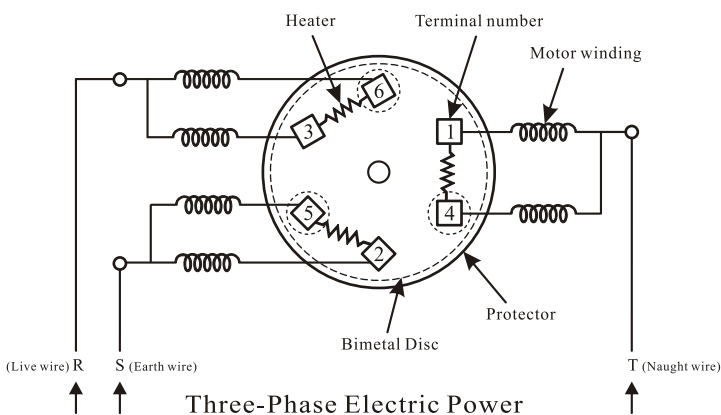
Industrial machinery motors
 Water pump
 Refrigerator compressor
 Air conditioning fan
 Agricultural equipment
 Heating appliances

Approvals

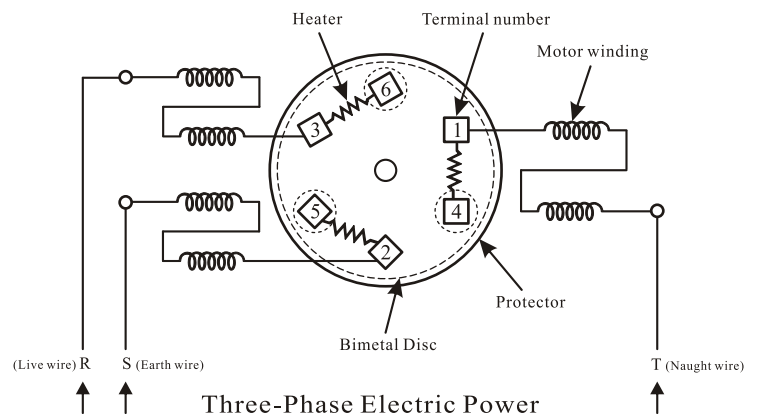
UL approval : 3/4 - 3 HP , 220-240 / 440-480 VAC , 90 °C- 135°C. (File No.: E125871)

Circuit Connection

Low Voltage



High Voltage



Dimensional Drawings (1" Three-Phase Motor Protectors)

<p>Eared Base Manual Reset</p>		<p>Eared Base Auto Reset</p>	
<p>Round Base Manual Reset</p>		<p>Round Base Auto Reset</p>	

Dimension in mm

Terminal Type

Plate	Hook	Stub

Type Code Structure

95

A

E

M

A

F

1

1

A

06

Item: M-9005

Type: A = 3/4" Single-Phase

B = 3/4" Three-phase

C = 1" Single-Phase

D = 1" Three-phase

Base: E = Eared **R** = Round

Reset: M = Manual Reset **A** = Auto Reset

Operation Temperature:

Automatic Reset	
Open ±5°C	Close ±12°C
A: 90 °C	57 °C
B: 105 °C	61 °C
C: 105 °C	69 °C
D: 105 °C	78 °C
E: 120 °C	61 °C
F: 120 °C	69 °C
G: 120 °C	78 °C
H: 120 °C	92 °C
I: 135 °C	61 °C
J: 135 °C	69 °C
K: 135 °C	78 °C
L: 135 °C	92 °C
M: 135 °C	102 °C
N: 150 °C	78 °C
O: 150 °C	102 °C
P: 150 °C	115 °C

Manual Reset	
Open ±5°C	Close ±12°C
S: 90 °C	54 °C
T: 105 °C	63 °C
U: 105 °C	74 °C
V: 120 °C	74 °C
W: 135 °C	96 °C
Y: 150 °C	96 °C
Remark: -20°C No Reset	

Terminal Type: F = 2 Fast Clip (for 3/4" & 1" Single-Phase)

G = 3 Fast Clip (for 3/4" & 1" Single-Phase)

P = 3 Plate **Q** = 6 Plate **S** = 2 Stub **T** = 3 Stub

H = 2 Hook **I** = 3 Hook **J** = 6 Hook

Electrical Ratings: 1 = 110-120 VAC **2** = 220-240 VAC **3** = 440-480 VAC

4 = 110-120 / 220-240 VAC **5** = 220-240 / 440-480 VAC

Ambient Temperature: 1 = 0° ~ 10° **2** = 11° ~ 20° **3** = 21° ~ 30° **4** = 31° ~ 40°

5 = 41° ~ 50° **6** = 51° ~ 60° **7** = 61° ~ 70° **8** = 71° ~ 80°

9 = OVER 81°

Full Load Current:

A: 1A	J: 10A	S: 19A	1: 27-28A
B: 2A	K: 11A	T: 20A	2: 29-30A
C: 3A	L: 12A	U: 21A	3: 31-32A
D: 4A	M: 13A	V: 22A	4: 33-34A
E: 5A	N: 14A	W: 23A	5: 35-36A
F: 6A	O: 15A	X: 24A	6: 37-38A
G: 7A	P: 16A	Y: 25A	7: 39-40A
H: 8A	Q: 17A	Z: 26A	8: 41-42A
I: 9A	R: 18A		9: 43-44A

Lock Load Current (Customization as per request)